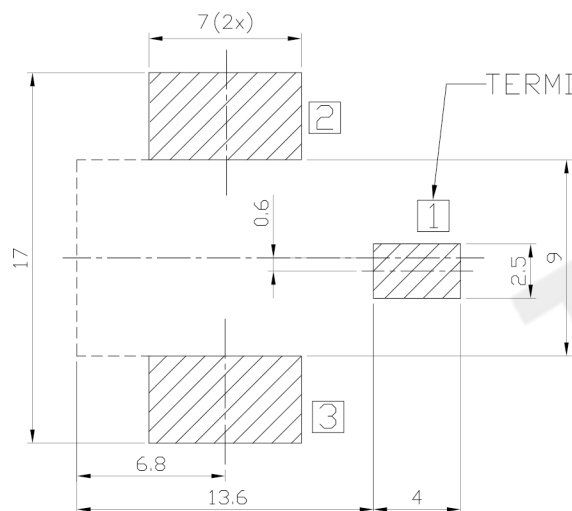
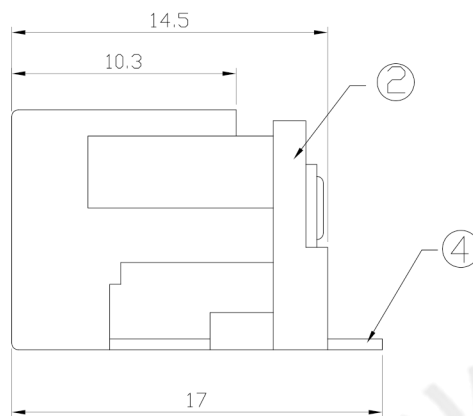
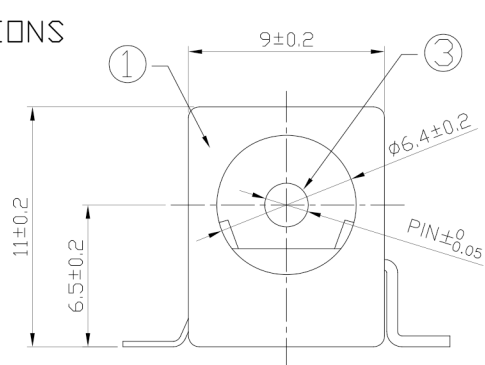




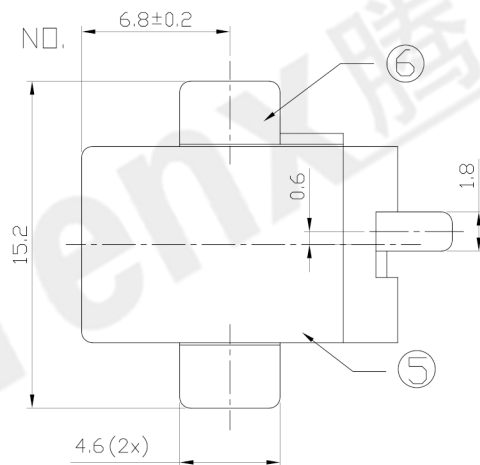
RoHS  
Compliant  
2002/95/EC

| REV. | ECN. | NO. | APPD. |
|------|------|-----|-------|
|      |      |     |       |
|      |      |     |       |

### DIMENSIONS



RECOMMENDED P.C.B. LAYOUT  
UNSPECIFIED TOLERANCE:±0.05  
(COPPER-SIDED VIEW)



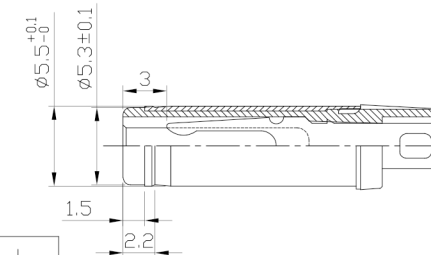
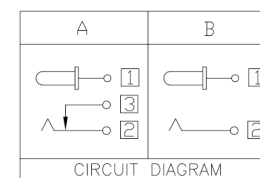
### MODEL CODE:

DCB0-0088C- A □ 9T BK S 0 1

- (1) (2) (3)(4) (5) (6) (7)(8) (9)  
 (1):Series type:SMD DC POWER JACK.  
 (2):Series No.  
 (3):Schematic option: A,B  
 (4):Center pin diameter:  
 H=φ2.0, J=φ2.5  
 (5):Material of housing:  
 9T=PA9T(Standard)  
 (6):Housing color:  
 BK=Black  
 (7):Terminal plating:  
 S=Silver(Ag)  
 (8):Special option:  
 0=No special option  
 (9):Packing mode:  
 1=Reel packing

### SPECIFICATION

- Rating :DC 20V 5A ;
- Contact resistance :≤30mΩ ;  
After test:≤50mΩ
- Insulation resistance : ≥100MΩ (DC500V) ;  
After test:≥50MΩ
- Withstanding voltage :500VAC ;
- Insertion and extraction force :3-30N;
- life test :5,000 cycles;
- Operation temperature range:-20°C~70°C;
- Preservative temperature range:-40°C~85°C;



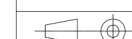
| Model No.  | H    | J    |
|------------|------|------|
| CENTER PIN | φ2.0 | φ2.5 |

DC MATE PLUG

○: ITEM NO. □: TERMINAL NO.

| NO. | PARTS                 | MATERIAL              | Q'TY | FINISHING      | TOLERANCE | ANGLES | UNITS    |
|-----|-----------------------|-----------------------|------|----------------|-----------|--------|----------|
| ⑥   | Shunt terminal ③      | Brass t0.5            | 1    | Silver plating | ±0.3      | ±2°    | mm       |
| ⑤   | Tip spring ②          | Phosphor bronze t0.25 | 1    | Silver plating |           |        | MAT'L    |
| ④   | Center pin terminal ① | Brass t0.5            | 1    | Silver plating |           |        | SEE NOTE |
| ③   | Center pin ①          | Brass                 | 1    | Nickel plating |           |        | FINISH   |
| ②   | Cover                 | PA9T UL94V-0          | 1    | Black          |           |        | SEE NOTE |
| ①   | Housing               | PA9T UL94V-0          | 1    | Black          |           |        | Q'TY     |
|     |                       |                       |      |                |           |        |          |

THESE DRAWINGS AND SPECIFICATIONS ARE THE PROPERTY OF ACCURATE INNO TECH INC AND SHALL NOT BE REPRODUCED, COPIED OR USED IN ANY MANNER WITHOUT THE PRIOR WRITTEN CONSENT OF ACCURATE INNO TECH INC.



东莞市腾兴电子有限公司

|                             |                                   |
|-----------------------------|-----------------------------------|
| TITLE:<br>SMD DC POWER JACK | PART NO.:<br>DCB0-0088C           |
| DR:<br>Ricky 2018/06/25     | DWG NO.:<br>AB0-0088C             |
| CHKD:<br>Ricky 2018/06/25   | SCALE SHEET REV. CUSTOMER DRAWING |
| APPD:                       | 1:1 1/1 A                         |