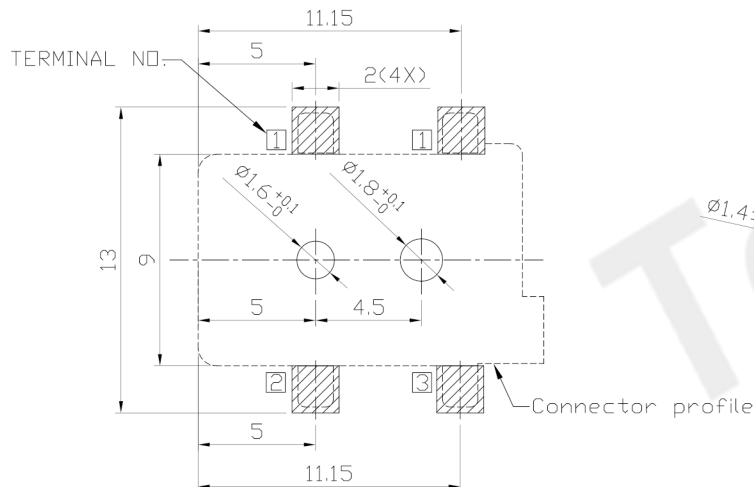
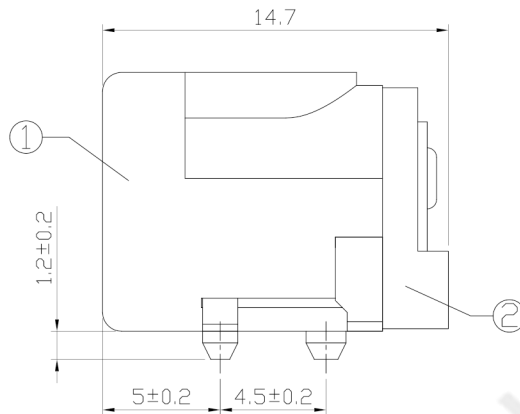
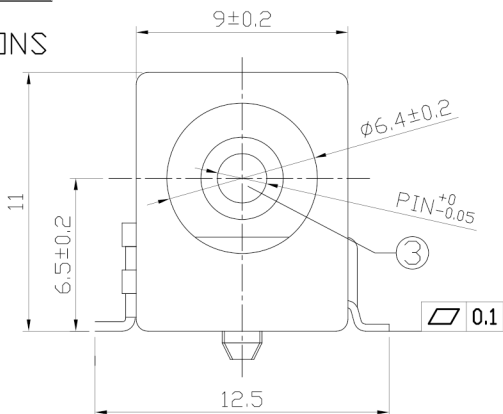




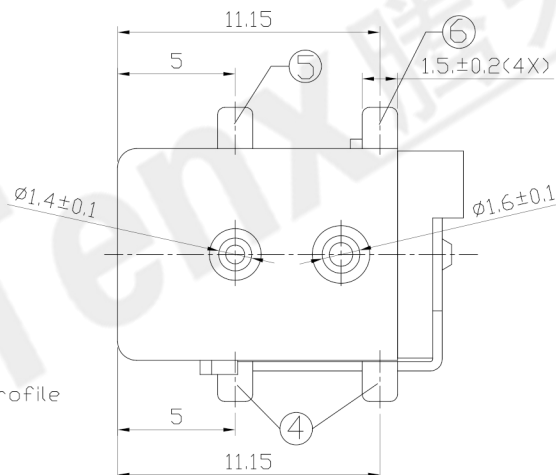
RoHS  
Compliant  
2002/95/EC

REV.	ECN.	NO.	APPD.

### DIMENSIONS



RECOMMENDED P.C.B. LAYOUT  
UNSPECIFIED TOLERANCE: ±0.05  
(TOP VIEW)



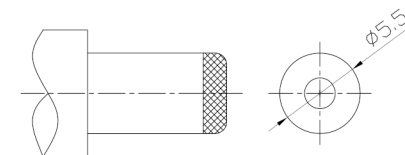
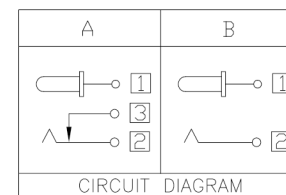
### MODEL CODE:

DCB0-00500- A □ 10 BK S 0 1

- (1) (2) (3)(4) (5) (6) (7)(8) (9)  
 (1):Series type:SMD DC POWER JACK.  
 (2):Series No.  
 (3):Schematic option: A,B  
 (4):Center pin diameter:  
 H=Ø2.0, I=Ø2.35, J=Ø2.5,  
 (5):Material of housing:  
 10=PA10T(Standard)  
 (6):Housing color:  
 BK=Black(Standard)  
 (7):Terminal plating:  
 S=Silver(Ag), T=Tin(Sn)  
 (8):Special option:  
 0=No special option  
 (9):Packing mode:  
 1=Reel packing

### Specification:

- Rating : DC 20V 5A.
- Contact resistance : ≤30mΩ  
After test: ≤50mΩ
- Insulation resistance : ≥100MΩ (500VDC).  
After test: ≥50MΩ
- Withstanding voltage : 500VAC.
- Insertion and extraction force : 3N~30N.
- Life test : 5000 cycles min.
- Operation temperature range: -20°C~70°C
- Preservative temperature range: -40°C~85°C



Model No.	H	I	J
CENTER PIN	Ø2.0	Ø2.35	Ø2.5

DC MATE PLUG

○: ITEM NO. □: TERMINAL NO.

6	Shunt terminal	3	Brass t0.4	1	Silver/Tin plating(3-6um)	TOLERANCE	ANGLES	UNITS	mm
5	Tip spring	2	Phosphor bronze t0.3	1	Silver/Tin plating(3-6um)	±0.3	±2°	MAT'L	SEE NOTE
4	Center pin terminal	1	Brass t0.4	1	Silver/Tin plating(3-6um)			FINISH	SEE NOTE
3	Center pin	1	Copper alloy	1	Copper tin/Nickel plating(2-4um)			Q'TY	APPD:
2	Cover		PA10T	1	Black				
1	Housing		PA10T	1	Black				
NO.	PARTS		MATERIAL		FINISHING				

THESE DRAWINGS AND SPECIFICATIONS ARE THE PROPERTY OF ACCURATE INNO TECH INC AND SHALL NOT BE REPRODUCED, COPIED OR USED IN ANY MANNER WITHOUT THE PRIOR WRITTEN CONSENT OF ACCURATE INNO TECH INC.



东莞市腾兴电子有限公司

TITLE:	SMD DC POWER JACK	PART NO.:	DCB0-00500
DR:	Ricky 2018/06/21	DWG NO.:	AB0-00500
CHKD:	Ricky 2018/06/21	SCALE	1:1
APPD:		SHEET	1/1
		REV.	A
		CUSTOMER DRAWING	