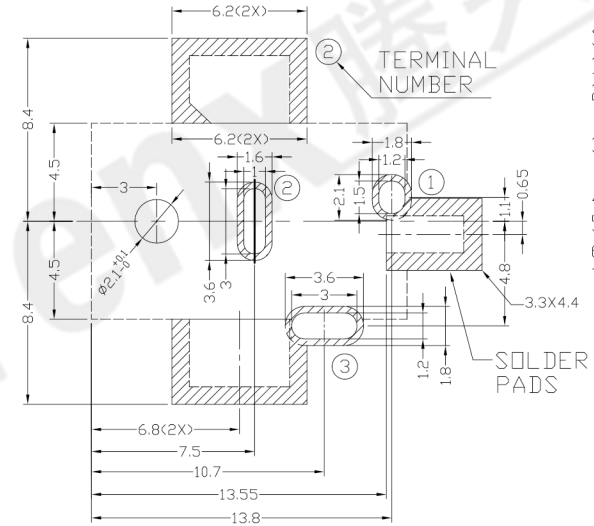
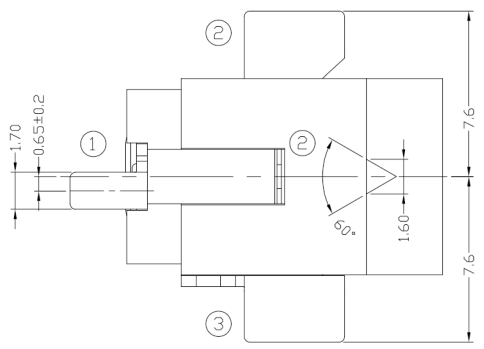
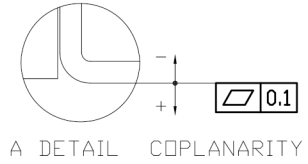
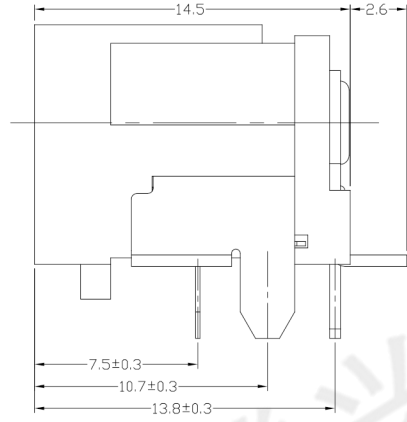
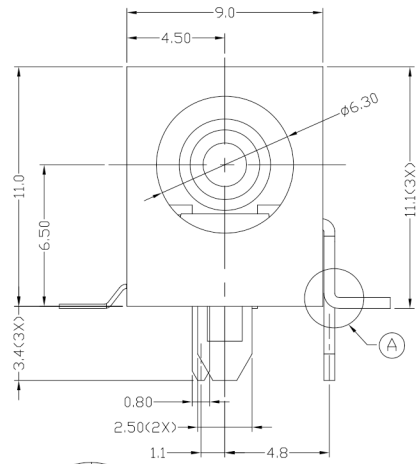
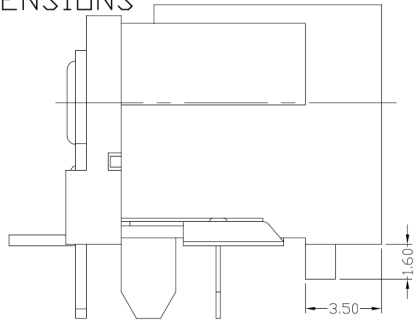




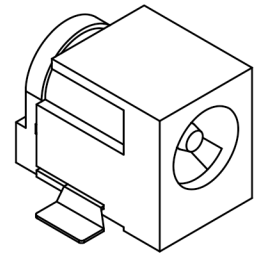
RoHS
Compliant
2002/95/EC

Halogen Free

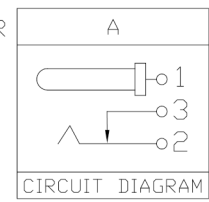
DIMENSIONS



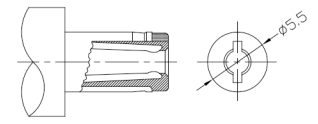
MODEL CODE:
DCT0-061DH3- A □ 10 BK S 0 1
 (1) (2) (3)(4)(5) (6) (7)(8) (9)
 (1):Series type:SMD DC POWER JACK.
 (2):Series No.
 (3):Schematic option: A
 (4):Center pin diameter:
 H=φ2.0mm,J=φ2.5mm
 (5):Material of housing:
 10=PA10T
 (6):Housing color:
 BK=Black
 (7):Terminal plating:
 S=Silver(Ag)
 (8):Special option:
 0=No special option
 (9):Packing mode:
 1=Reel packing



Specification:
 1.Rating : 5A/16V DC Max.
 2.Contact resistance : ≤30mΩ
 After test:≤60mΩ
 3.Insulation resistance : ≥100MΩ (DC500V).
 After test:≥50MΩ
 4.Withstanding voltage : 500VAC.
 5.Insertion and extraction force : 0.3~3Kgs.
 6.Life test : 5,000cycles min.
 7.Operation temperature range:-25℃~85℃.



MODEL NO.	H	J
CENTER PIN	φ2.0mm	φ2.5mm



RECOMMENDED P.C.B. LAYOUT
 TOLERANCE:±0.05
 (TOP VIEW)

Bill of materials:

NO.	PARTS	MATERIAL	Q'TY	FINISHING
6	CENTER PIN	COPPER	1	NICKEL PLATED
5	TERMINAL 1	BRASS	1	SILVER PLATED
4	TERMINAL 2	COPPER ALLOY	1	SILVER PLATED
3	TERMINAL 3	BRASS	1	SILVER PLATED
2	HOUSING	PA10T	1	UL94V-0
1	COVER	PA10T	1	UL94V-0

TOLERANCE	ANGLES	UNITS	mm
±0.3	±2°	MAT'L	
		SEE NOTE	
		FINISH	
		SEE NOTE	
		Q'TY	

东莞市腾兴电子有限公司

TITLE: SMD DC POWER JACK		PART NO.: DCT0-061DH3	
DR: Ricky 2018/10/03		DWG NO.: AT0-061DH3	
CHKD: Ricky 2018/10/03		SCALE	SHEET
APPD:		1:1	1/1
		REV.	CUSTOMER DRAWING
		A	

THESE DRAWINGS AND SPECIFICATIONS ARE THE PROPERTY OF ACCURATE INNO TECH INC AND SHALL NOT BE REPRODUCED, COPIED OR USED IN ANY MANNER WITHOUT THE PRIOR WRITTEN CONSENT OF ACCURATE INNO TECH INC.

