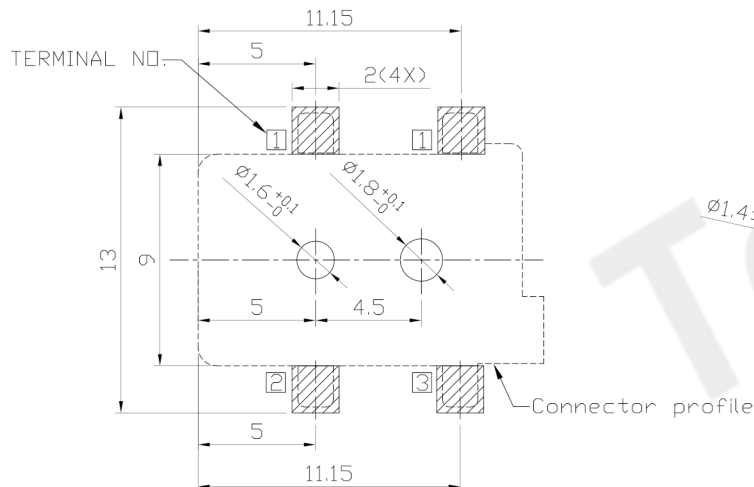
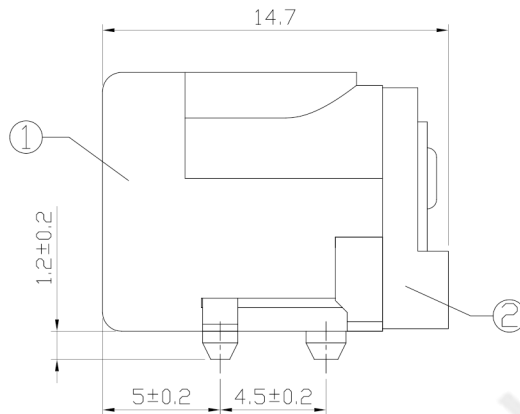
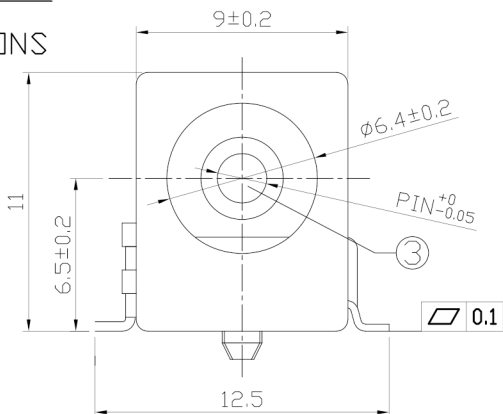




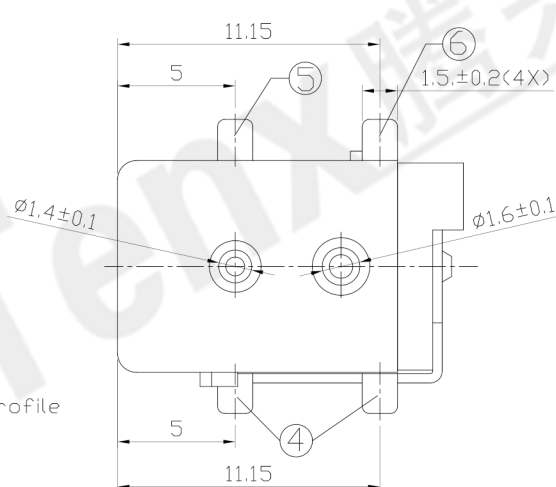
RoHS
Compliant
2002/95/EC

REV.	ECN.	NO.	APPD.

DIMENSIONS



RECOMMENDED P.C.B. LAYOUT
UNSPECIFIED TOLERANCE: ±0.05
(TOP VIEW)



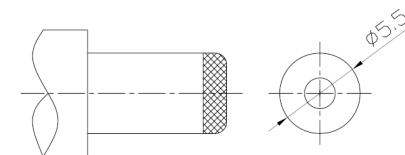
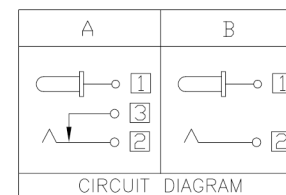
MODEL CODE:

DCB0-00500- A □ 10 BK S 0 1

- (1) (2) (3)(4) (5) (6) (7)(8) (9)
 (1):Series type:SMD DC POWER JACK.
 (2):Series No.
 (3):Schematic option: A,B
 (4):Center pin diameter:
 H=φ2.0, I=φ2.35, J=φ2.5,
 (5):Material of housing:
 10=PA10T(Standard)
 (6):Housing color:
 BK=Black(Standard)
 (7):Terminal plating:
 S=Silver(Ag), T=Tin(Sn)
 (8):Special option:
 0=No special option
 (9):Packing mode:
 1=Reel packing

Specification:

- Rating : DC 20V 5A.
- Contact resistance : ≤30mΩ
After test:≤50mΩ
- Insulation resistance : ≥100MΩ (500VDC).
After test:≥50MΩ
- Withstanding voltage : 500VAC.
- Insertion and extraction force : 3N~30N.
- Life test : 5000 cycles min.
- Operation temperature range:-20℃~70℃
- Preservative temperature range:-40℃~85℃



Model No.	H	I	J
CENTER PIN	φ2.0	φ2.35	φ2.5

DC MATE PLUG

○: ITEM NO. □: TERMINAL NO.

⑥	Shunt terminal	③	Brass t0.4	1	Silver/Tin plating(3-6um)
⑤	Tip spring	②	Phosphor bronze t0.3	1	Silver/Tin plating(3-6um)
④	Center pin terminal	①	Brass t0.4	1	Silver/Tin plating(3-6um)
③	Center pin	①	Copper alloy	1	Copper tin/Nickel plating(2-4um)
②	Cover		PA10T	1	Black
①	Housing		PA10T	1	Black
NO.	PARTS		MATERIAL	Q'TY	FINISHING

THESE DRAWINGS AND SPECIFICATIONS ARE THE PROPERTY OF ACCURATE INNO TECH INC AND SHALL NOT BE REPRODUCED, COPIED OR USED IN ANY MANNER WITHOUT THE PRIOR WRITTEN CONSENT OF ACCURATE INNO TECH INC.

TOLERANCE	ANGLES	UNITS	mm
±0.3	±2°	MAT'L	SEE NOTE
		FINISH	SEE NOTE
		Q'TY	

东莞市腾兴电子有限公司			
TITLE: SMD DC POWER JACK		PART NO.: DCB0-00500	
DR: Ricky 2018/06/21		DWG NO.: AB0-00500	
CHKD: Ricky 2018/06/21		SCALE	SHEET
APPD:		1:1	1/1
		REV.	CUSTOMER DRAWING
		A	