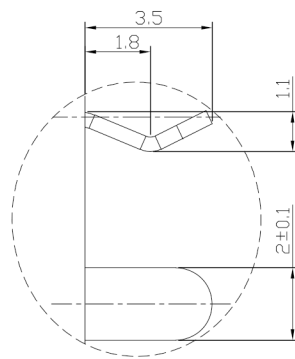
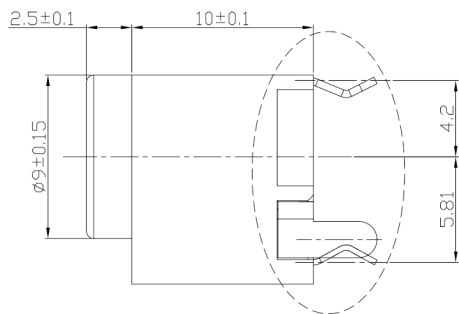
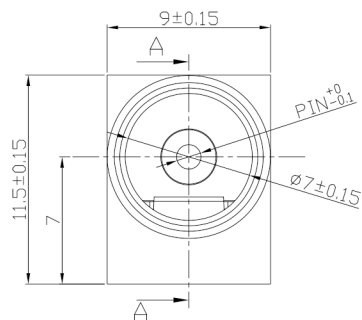


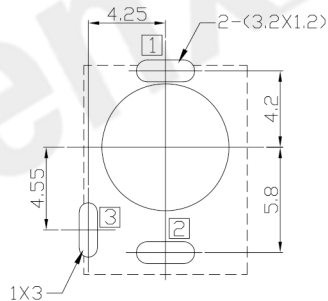
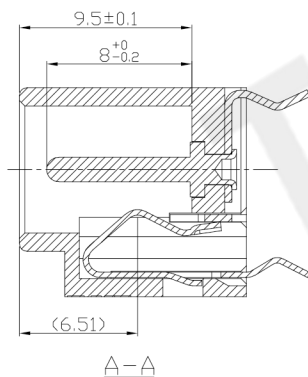
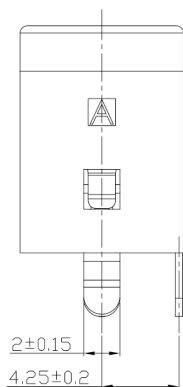


**RoHS Compliant**  
2002/95/EC

**DIMENSIONS**



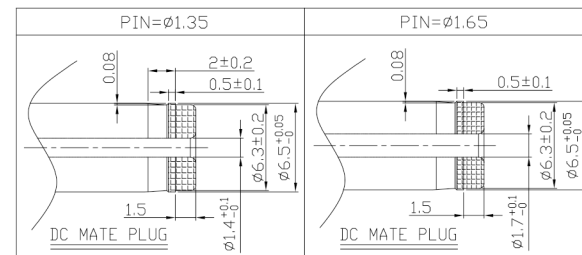
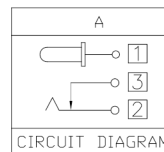
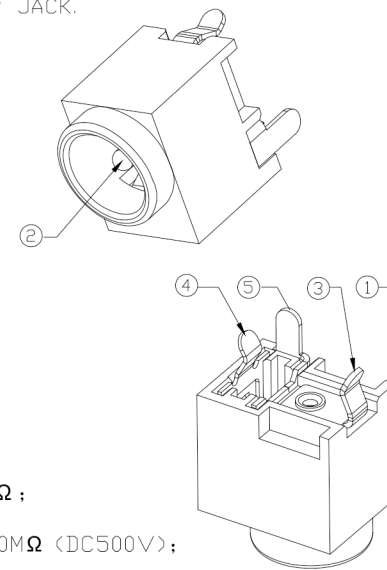
**DETAIL A**  
2:1



**P.C.B Layout**  
(Copper-sided view)

MODEL CODE:  
DCB0-01410- A □ PB BK T 0 3  
(1) (2) (3)(4) (5) (6) (7)(8) (9)  
(1):Series type:DIP DC POWER JACK.  
(2):Series No.  
(3):Schematic option: A  
(4):Center pin diameter:  
E=φ1.35 G=φ1.65  
(5):Material of housing:  
PB=PBT (Standard)  
(6):Housing color:  
BK=Black (Standard)  
(7):Terminal plating  
T=Tin(Sn)(Standard)  
S=Silver(Ag)  
(8):Special option:  
0=No special option  
(9):Packing mode:  
3=Plastic box packing

**SPECIFICATION:**  
1.Rating : DC 20V 3.0A;  
2.Contact resistance: ≤30mΩ;  
After test:≤50mΩ  
3.Insulation resistance: ≥100MΩ (DC500V);  
After test:≥50MΩ  
4.Withstand voltage: 500VAC;  
5.Insertion and extraction force: 3-30N;  
6.life test: 5,000 cycles;  
7.Operation temperature range:-20°C~70°C;  
8.Preservative temperature range:-40°C~85°C;



Model No.	E	G
CENTER PIN	φ1.35	φ1.65

○: ITEM NO. □: TERMINAL NO.

NO.	PARTS	MATERIAL	Q'TY	FINISHING	TOLERANCE	ANGLES	UNITS
⑤	Shunt terminal ③	Brass t=0.4	1	Tin plating	±0.3	±2°	mm
④	Tip spring ②	Phosphor bronze t=0.3	1	Tin plating			SEE NOTE
③	Center pin terminal ①	Brass t=0.4	1	Tin plating			SEE NOTE
②	Center pin ①	Copper alloy	1	Nickel plating			Q'TY
①	Housing	PBT	1				

**东莞市腾兴电子有限公司**

TITLE: DIP DC POWER JACK		PART NO.: DCB0-01410	
DR: Ricky 2019/05/03		DWG NO.: AB0-01410	
CHKD: Ricky 2019/05/03		SCALE: 1:1	SHEET: 1/1
APPD:		REV.: A	CUSTOMER DRAWING

THESE DRAWINGS AND SPECIFICATIONS ARE THE PROPERTY OF ACCURATE INNO TECH INC AND SHALL NOT BE REPRODUCED, COPIED OR USED IN ANY MANNER WITHOUT THE PRIOR WRITTEN CONSENT OF ACCURATE INNO TECH INC.

