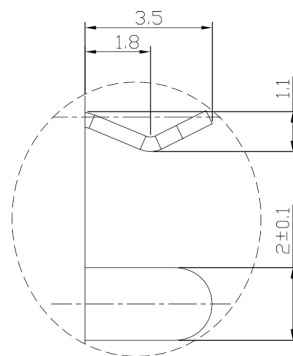
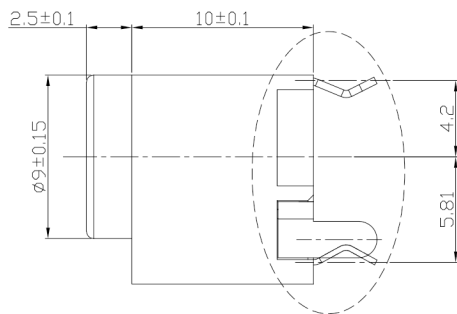
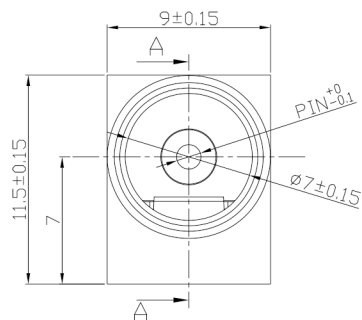


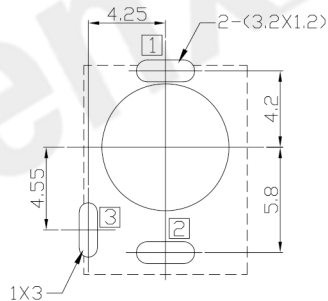
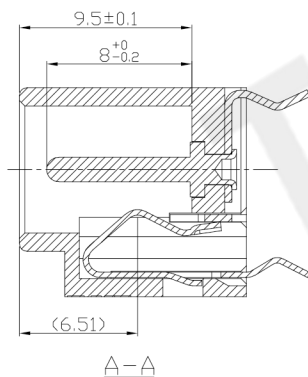
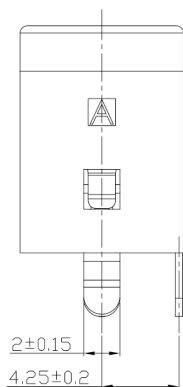


RoHS Compliant
2002/95/EC

DIMENSIONS



DETAIL A
2:1

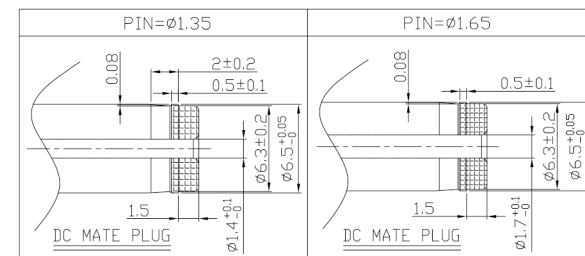
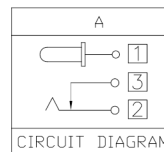
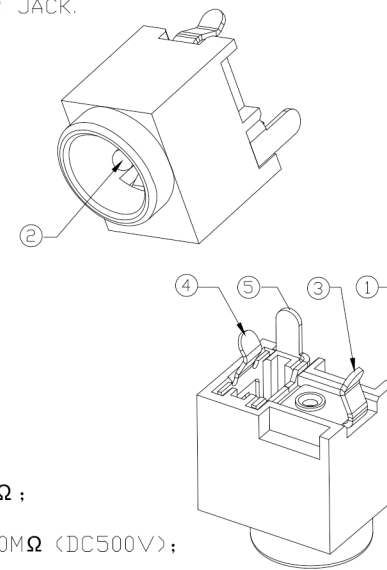


P.C.B Layout
(Copper-sided view)

MODEL CODE:
DCB0-01410- A □ PB BK T 0 3
(1) (2) (3)(4) (5) (6) (7)(8) (9)
(1):Series type:DIP DC POWER JACK.
(2):Series No.
(3):Schematic option: A
(4):Center pin diameter:
E=φ1.35 G=φ1.65
(5):Material of housing:
PB=PBT (Standard)
(6):Housing color:
BK=Black (Standard)
(7):Terminal plating
T=Tin(Sn)(Standard)
S=Silver(Ag)
(8):Special option:
0=No special option
(9):Packing mode:
3=Plastic box packing

SPECIFICATION:

- Rating : DC 20V 3.0A;
- Contact resistance: ≤30mΩ;
After test:≤50mΩ
- Insulation resistance: ≥100MΩ (DC500V);
After test:≥50MΩ
- Withstand voltage: 500VAC;
- Insertion and extraction force: 3-30N;
- life test: 5,000 cycles;
- Operation temperature range:-20°C~70°C;
- Preservative temperature range:-40°C~85°C;



Model No.	E	G
CENTER PIN	φ1.35	φ1.65

○: ITEM NO. □: TERMINAL NO.

NO.	PARTS	MATERIAL	Q'TY	FINISHING	TOLERANCE	ANGLES	UNITS mm	东莞市腾兴电子有限公司				
⑤	Shunt terminal ③	Brass t=0.4	1	Tin plating	±0.3	±2'	MAT'L	东 莞 市 腾 兴 电 子 有 限 公 司				
④	Tip spring ②	Phosphor bronze t=0.3	1	Tin plating								SEE NOTE
③	Center pin terminal ①	Brass t=0.4	1	Tin plating	±0.3	±2'	FINISH	东 莞 市 腾 兴 电 子 有 限 公 司				
②	Center pin ①	Copper alloy	1	Nickel plating								SEE NOTE
①	Housing	PBT	1		±0.3	±2'	Q'TY	东 莞 市 腾 兴 电 子 有 限 公 司				
												DR: Ricky 2019/05/03
					±0.3	±2'	APPD:	东 莞 市 腾 兴 电 子 有 限 公 司				
												CHKD: Ricky 2019/05/03
								TITLE: DIP DC POWER JACK	PART NO.: DCB0-01410			
								DR: Ricky 2019/05/03	DWG NO.: AB0-01410			
								CHKD: Ricky 2019/05/03	SCALE	SHEET	REV.	CUSTOMER DRAWING
								APPD:	1:1	1/1	A	

THESE DRAWINGS AND SPECIFICATIONS ARE THE PROPERTY OF ACCURATE INNO TECH INC AND SHALL NOT BE REPRODUCED, COPIED OR USED IN ANY MANNER WITHOUT THE PRIOR WRITTEN CONSENT OF ACCURATE INNO TECH INC.

