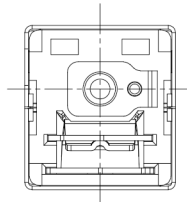
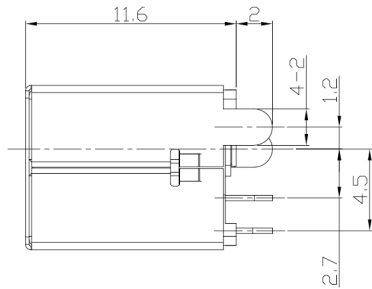
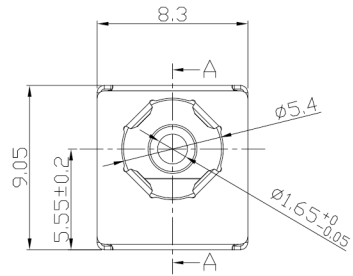




RoHS  
Compliant  
2002/95/EC

Halogen Free

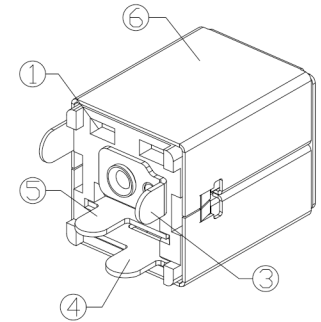
DIMENSIONS



MODEL CODE:

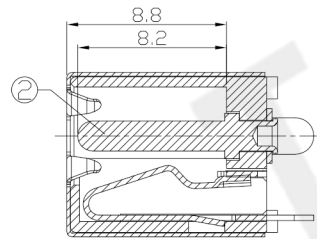
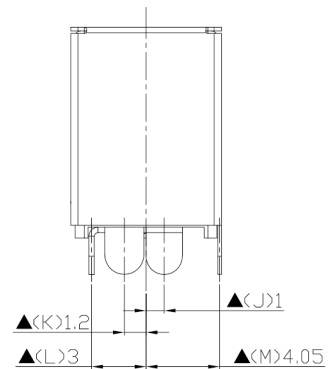
DCB0-01560- A G 10 BK S H 1

- (1) (2) (3)<(4)<(5) (6) (7)<(8) (9)
- (1):Series type:DIP DC POWER JACK.
- (2):Series No.
- (3):Schematic option: A
- (4):Center pin diameter:  
G=φ1.65
- (5):Material of housing:  
10=PA10T
- (6):Housing color:  
BK=Black
- (7):Terminal plating  
S=Silver(Ag)
- (8):Special option:  
H=Halogen Free material
- (9):Packing mode:  
1=Reel packing

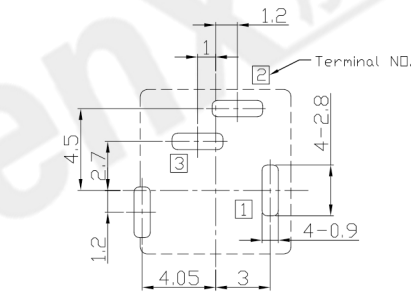


SPECIFICATION:

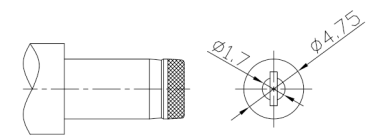
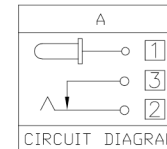
- 1.Rating : DC 20V 3A;
- 2.Contact resistance: ≤30mΩ;  
After test:≤50mΩ
- 3.Insulation resistance: ≥100MΩ (DC500V);  
After test:≥50MΩ
- 4.Withstand voltage: 500VAC;
- 5.Insertion and extraction force: 3-30N;
- 6.life test: 5,000 cycles;
- 7.Operaton temperature range:-20°C~70°C;
- 8.Preservative temperature range:-40°C~85°C;



SECTION A-A



RECOMMENDED P.C.B. LAYOUT  
UNSPECIFIED TOLERANCE:±0.05  
(TOP VIEW)



DC MATE PLUG

○: ITEM NO. □: TERMINAL NO.

NO.	PARTS	MATERIAL	Q'TY	FINISHING	TOLERANCE	ANGLES	UNITS	mm
⑥	Shell	Stainless steel t=0.2	1	Nickel plating				
⑤	Shunt terminal ③	Brass t=0.3	1	Silver plating	±0.3	±2'	MAT'L	
④	Tip spring ②	Phosphor bronze t=0.3	1	Silver plating			SEE NOTE	
③	Center pin terminal ①	Brass t=0.3	1	Silver plating			FINISH	
②	Center pin ①	Copper alloy	1	Nickel plating			SEE NOTE	
①	Housing	PA10T	1	Black			Q'TY	

THESE DRAWINGS AND SPECIFICATIONS ARE THE PROPERTY OF ACCURATE INNOVATECH INC AND SHALL NOT BE REPRODUCED, COPIED OR USED IN ANY MANNER WITHOUT THE PRIOR WRITTEN CONSENT OF ACCURATE INNOVATECH INC.

东莞市腾兴电子有限公司

TITLE: DIP DC POWER JACK PART NO.: DCB0-01560

DR: Ricky 2019/05/06 DWG NO.: AB0-01560

CHKD: Ricky 2019/05/06 SCALE SHEET REV. CUSTOMER DRAWING  
1:1 1/1 A

