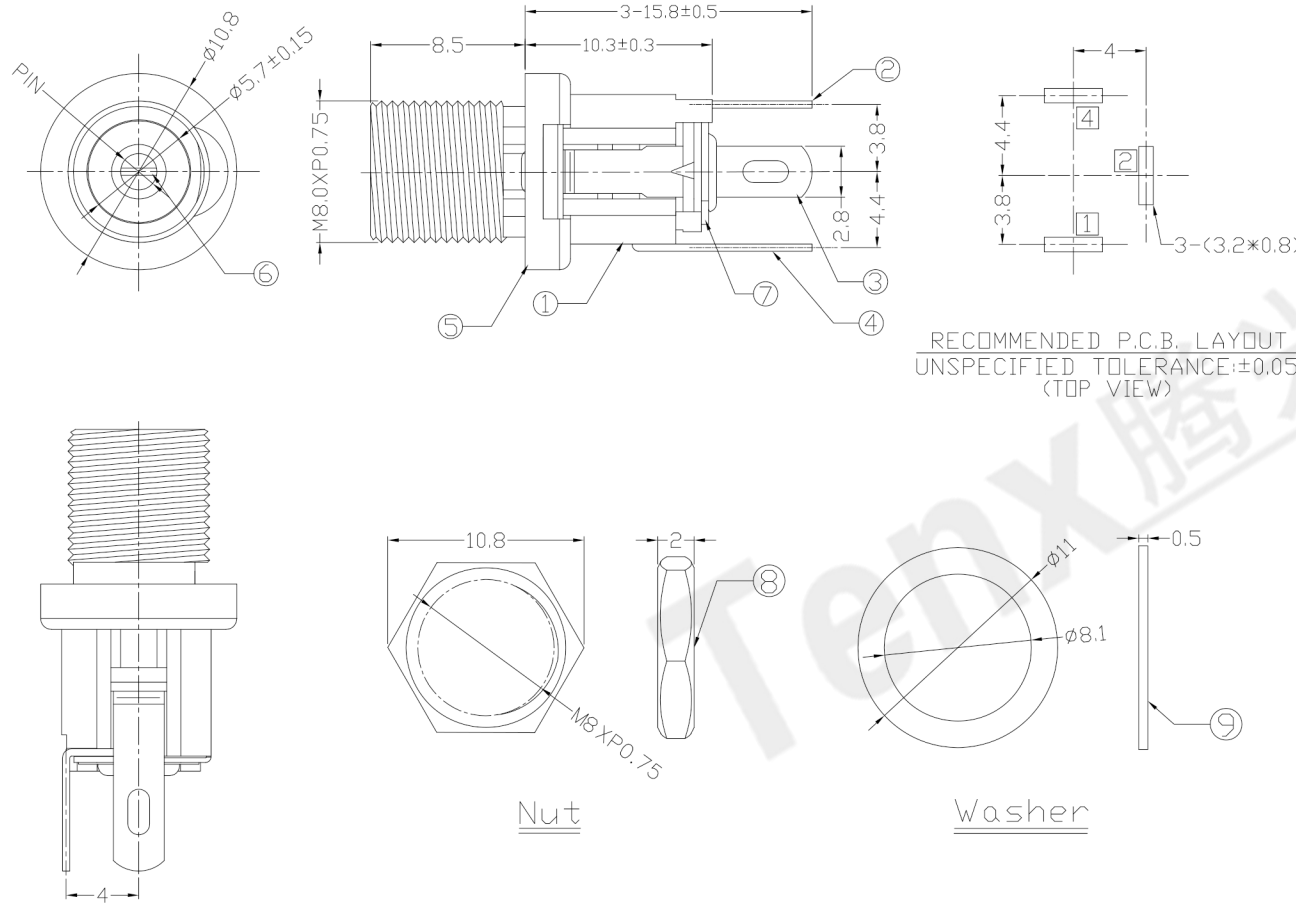




RoHS Compliant
2002/95/EC

DIMENSIONS



RECOMMENDED P.C.B. LAYOUT
UNSPECIFIED TOLERANCE: ± 0.05
(TOP VIEW)

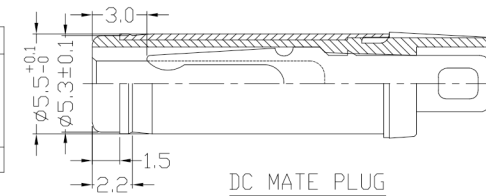
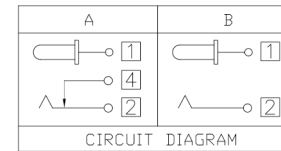
MODEL CODE:

DCB0-025BM- A PB BK C 0 4

- (1) (2) (3)(4) (5) (6) (7)(8) (9)
- (1):Series type:DIP DC POWER JACK.
- (2):Series No.
- (3):Schematic option: A , B
- (4):Center pin diameter:
H= $\phi 2.0$, I= $\phi 2.35$, J= $\phi 2.5$
- (5):Material of housing:
PB=PBT (Only)
- (6):Housing color:
BK=Black (Only)
- (7):Terminal plating
S=Silver(Ag)
T=Tin(Sn)
C=copper&tin alloy plating (Standard)
- (8):Special option:
0=No special option
- (9):Packing mode:
4=Bag packing

SPECIFICATION:

- 1.Rating : DC 30V 3A;
- 2.Contact resistance: $\leq 30m\Omega$;
After test: $\leq 50m\Omega$
- 3.Insulation resistance: $\geq 100M\Omega$ (DC500V);
After test: $\geq 50M\Omega$
- 4.Withstand voltage: 500VAC ;
- 5.Insertion and extraction force: 3-30N;
- 6.life test: 5,000 cycles;
- 7.Operation temperature range: $-20^{\circ}C \sim 70^{\circ}C$;
- 8.Preservative temperature range: $-40^{\circ}C \sim 85^{\circ}C$;



Model No.	H	I	J
CENTER PIN	$\phi 2.0$	$\phi 2.35$	$\phi 2.5$

○: ITEM NO. □: TERMINAL NO.

NO.	PARTS	MATERIAL	Q'TY	FINISHING
9	Washer	Stel	1	Ni-plating
8	Nut	Brass	1	Ni-plating
7	Washer	Bakelite	2	
6	Pin	Bronze	1	Ni-plating
5	Bushing	Brass	1	Ni-plating
4	Shunt Terminal 4	Brass	1	Cu-Sn-Plating
3	Tip Spring 2	Phosphor bronze	1	Cu-Sn-Plating
2	Center pin terminal 1	Brass	1	Cu-Sn-Plating
1	Housing	PBT	1	Black

THESE DRAWINGS AND SPECIFICATIONS ARE THE PROPERTY OF ACCURATE INNO TECH INC AND SHALL NOT BE REPRODUCED, COPIED OR USED IN ANY MANNER WITHOUT THE PRIOR WRITTEN CONSENT OF ACCURATE INNO TECH INC.

UNITS mm

TOLERANCE ± 0.3

ANGLES $\pm 2'$

MAT'L SEE NOTE

FINISH SEE NOTE

Q'TY

DR: Ricky 2019/04/10

CHKD: Ricky 2019/04/10

APPD:

SCALE 1:1

SHEET 1/1

REV. A

CUSTOMER DRAWING

东莞市腾兴电子有限公司

TITLE: DIP DC POWER JACK

PART NO.: DCB0-025BM

DWG NO.: AB0-025BM