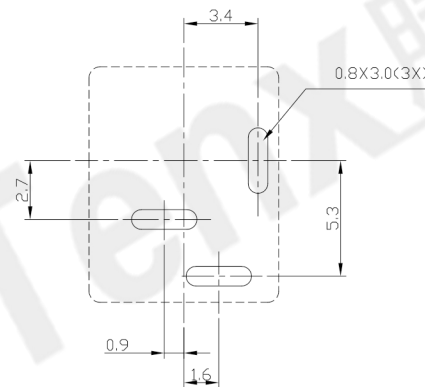
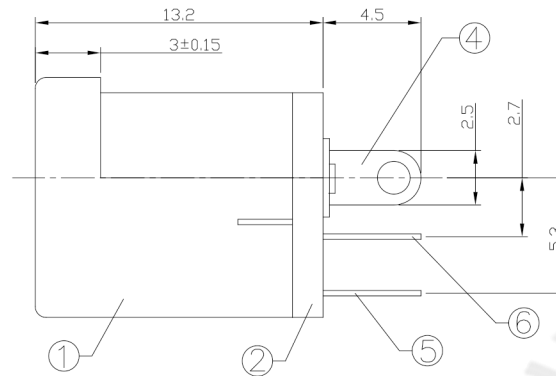
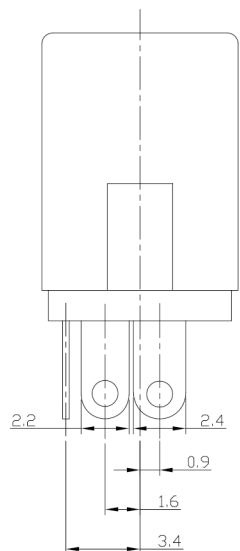
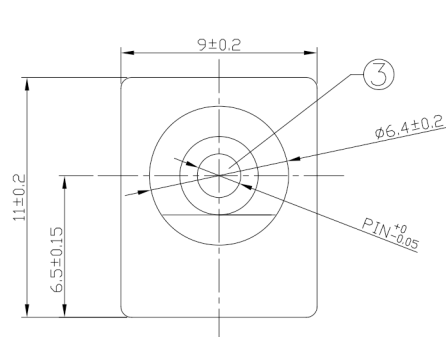




RoHS  
Compliant  
2002/95/EC

REV.	ECN.	NO.	APPD.

### DIMENSIONS



RECOMMENDED PCB LAYOUT  
TOLERANCE:±0.05mm  
(BOTTOM VIEW)

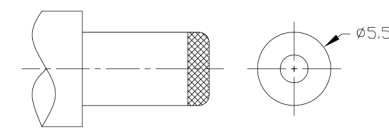
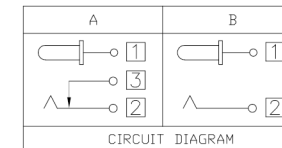
### MODEL CODE:

DCB0-00120- A □ PB BK I 0 4

- (1) (2) (3)(4) (5) (6) (7)(8) (9)
- (1):Series type:DIP DC POWER JACK.  
 (2):Series No.  
 (3):Schematic option: A , B  
 (4):Center pin diameter:  
 H=φ2.0 , I=φ2.35 , J=φ2.5  
 (5):Material of housing:  
 PB=PBT (Standard)  
 (6):Housing color:  
 BK=Black , 4H=Yellow(0039)  
 (7):Terminal plating  
 T=Tin(Sn) , S=Silver(Ag)  
 (8):Special option:  
 0=No special option  
 (9):Packing mode:  
 4=Bag packing

### Specification:

- Rating : DC 20V/2A.
- Contact resistance: ≤50mΩ  
After test:≤100mΩ
- Insulation resistance: ≥100MΩ (500VDC).  
After test:≥50MΩ
- Withstanding voltage: 500VAC.
- Insertion and extraction force: 3N-30N.
- Life test: 5000 cycles min.
- Operation temperature range:-20°C~70°C.
- Preservative temperature range:-40°C~85°C.



DC MATE PLUG

Model No.	H	I	J
CENTER PIN	φ2.0	φ2.35	φ2.5

○: ITEM NO. □: TERMINAL NO.

NO.	PARTS	MATERIAL	Q'TY	FINISHING	TOLERANCE	ANGLES	UNITS
⑥	Shunt terminal ③	Brass T=0.3	1	Tin plating	±0.3	±2°	mm
⑤	Tip spring ②	Manganese steel t=0.2	1	Tin plating			
④	Center pin terminal ①	Brass t=0.3	1	Tin plating			
③	Center pin ①	Copper alloy	1	CuSn plating			
②	Cover	PF	1	Brown			
①	Housing	PBT	1				

THESE DRAWINGS AND SPECIFICATIONS ARE THE PROPERTY OF ACCURATE INNOVATION INC AND SHALL NOT BE REPRODUCED, COPIED OR USED IN ANY MANNER WITHOUT THE PRIOR WRITTEN CONSENT OF ACCURATE INNOVATION INC.

<b>东莞市腾兴电子有限公司</b>			
DR: Ricky 2019/03/07		DWG NO.: AB0-00120	
CHKD: Ricky 2019/03/07		SCALE	SHEET
APPD:		1:1	1/1
		REV. A	CUSTOMER DRAWING