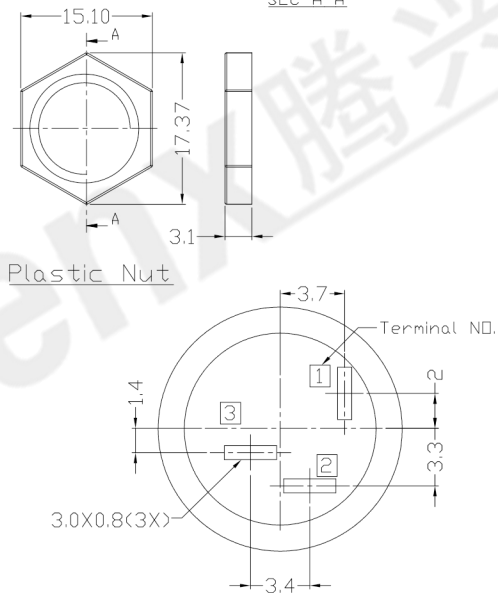
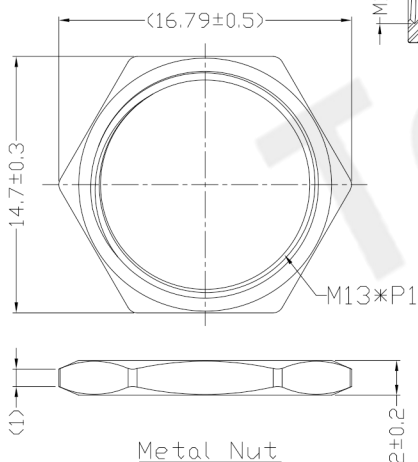
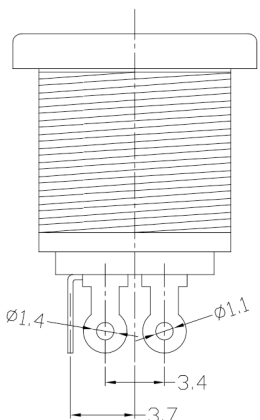
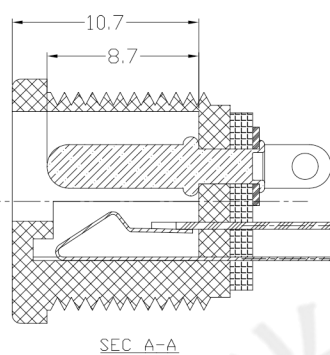
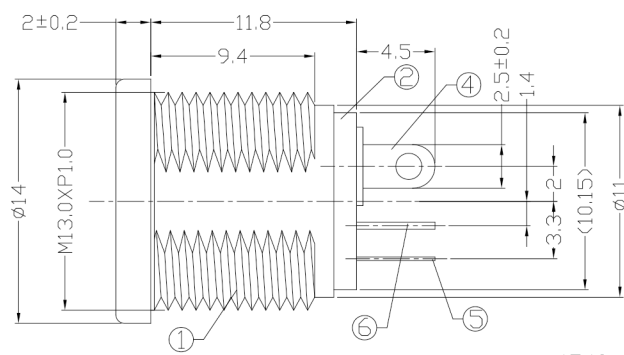
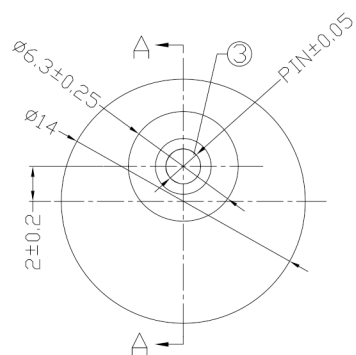




RoHS  
Compliant  
2002/95/EC

DIMENSIONS



MODEL CODE:

DCB0-00220- A □ PB BK I 0 4

(1) (2) (3)(4) (5) (6) (7)(8) (9)

(1):Series type:DIP DC POWER JACK.

(2):Series No.

(3):Schematic option: A , B

(4):Center pin diameter:

H=φ2.0, I=φ2.35, J=φ2.5

(5):Material of housing:

PB=PBT (Standard)

(6):Housing color:

BK=Black

(7):Terminal plating

T=Tin(Sn)

(8):Special option:

0=Mate metal nut

1=Mate plastic nut

B=Metal nut(nut need been assembled onto DC jack)

(9):Packing mode:

4=Bag packing

SPECIFICATION:

1.Rating : DC 20V 2.5A;

2.Contact resistance: ≤50mΩ;

After test:≤100mΩ

3.Insulation resistance: ≥100MΩ (DC500V);

After test:≥50MΩ

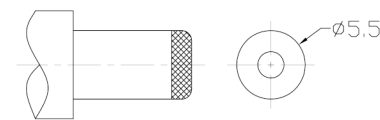
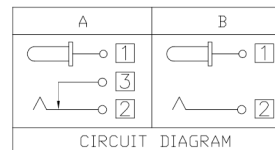
4.Withstand voltage: 500VAC ;

5.Insertion and extraction force: 3-30N;

6.life test: 5,000 cycles;

7.Operation temperature range:-20°C~70°C;

8.Preservative temperature range:-40°C~85°C;



Model No.	H	I	J
CENTER PIN	φ2.0	φ2.35	φ2.5

○: ITEM NO. □: TERMINAL NO.

NO.	PARTS	MATERIAL	Q'TY	FINISHING
⑥	Shunt terminal ③	Brass t=0.3	1	Tin Plating
⑤	Tip spring ②	Stainless steel t0.25	1	Tin Plating
④	Center pin terminal ①	Brass t=0.3	1	Tin Plating
③	Center pin ①	Copper alloy	1	CuSn Plating
②	Cover	PF	1	
①	Housing	PBT	1	Black

TOLERANCE	ANGLES	UNITS	mm
±0.3	±2°	MAT'L	
		SEE NOTE	
		FINISH	
		SEE NOTE	
		Q'TY	

THESE DRAWINGS AND SPECIFICATIONS ARE THE PROPERTY OF ACCURATE INNO TECH INC AND SHALL NOT BE REPRODUCED, COPIED OR USED IN ANY MANNER WITHOUT THE PRIOR WRITTEN CONSENT OF ACCURATE INNO TECH INC.

东莞市腾兴电子有限公司

TITLE: DIP DC POWER JACK PART NO.: DCB0-00220

DR: Ricky 2019/04/10 DWG NO.: AB0-00220

CHKD: Ricky 2019/04/10 SCALE SHEET REV. CUSTOMER DRAWING

SCALE	SHEET	REV.	CUSTOMER DRAWING
1:1	1/1	A	