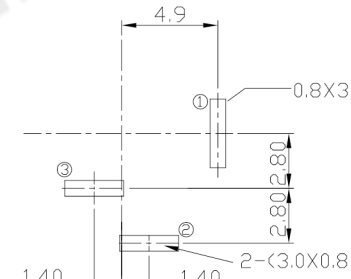
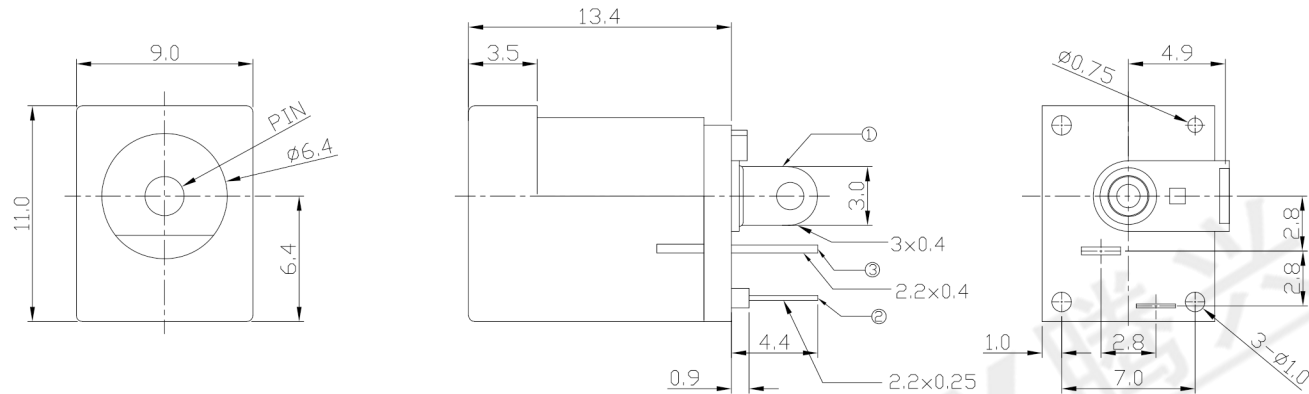




RoHS  
Compliant  
2002/95/EC

REV.	ECN.	NO.	APPD.

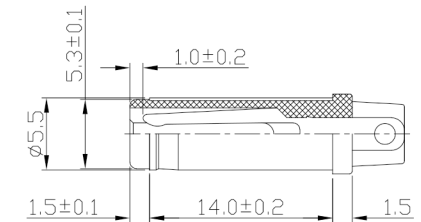
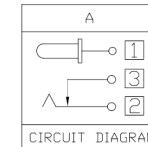
### DIMENSIONS



P.C.B LAYOUT  
TOP VIEW

MODEL CODE:  
DCS0-0203H- A □ PB BK I 0 3  
(1) (2) (3)(4)(5)(6) (7)(8) (9)  
(1):Series type:DIP DC POWER JACK.  
(2):Series No.  
(3):Schematic option: A  
(4):Center pin diameter:  
H=∅2.0mm , J=∅2.5mm  
(5):Material of housing:  
PC=PBT  
(6):Housing color:  
BK=Black  
(7):Terminal plating  
T=Tin(Sn)  
(8):Special option:  
0=No special option  
(9):Packing mode:  
3=Plastic box packing

Specification:  
1.Rating :DC 24V 3.5A.  
2.Contact resistance : ≤100mΩ  
3.Insulation resistance : ≥100MΩ (DC250V).  
4.Withstanding voltage: 500VAC .  
5.Insertion and extraction force: 3~30N.  
6.life test: 5000cycles min.  
7.Operation temperature range:-25°C ~85°C



Model No.	H	J
CENTER PIN	∅2.0	∅2.5

DC MATE PLUG

### Bill of materials:

NO.	PARTS	MATERIAL	Q'TY	FINISHING
6	PIN	BRASS	1	Ni-Plating
5	CURVE PIECE	BRASS	1	Sn-Plating
4	FLAT PIECE	BRASS	1	Sn-Plating
3	SPRING	PBS	1	Sn-Plating
2	COVER	PBT	1	
1	HOUSING	PBT	1	

TOLERANCE	ANGLES	UNITS	mm
.X ± 0.3	X°,±5°	MAT'L	
.XX ± 0.2	.X°±3°	SEE NOTE	
.XXX ± 0.1		FINISH	
		SEE NOTE	
		Q'TY	

THESE DRAWINGS AND SPECIFICATIONS ARE THE PROPERTY OF ACCURATE INNOVATECH INC AND SHALL NOT BE REPRODUCED, COPIED OR USED IN ANY MANNER WITHOUT THE PRIOR WRITTEN CONSENT OF ACCURATE INNOVATECH INC.

### 东莞市腾兴电子有限公司

TITLE: DIP DC POWER JACK	PART NO.: DCS0-0203H
DR: Ricky 2019/03/26	DWG NO.: ASS-0203H
CHKD: Ricky 2019/03/26	SCALE SHEET REV. CUSTOMER 1:1 1/1 A DRAWING
APPD:	