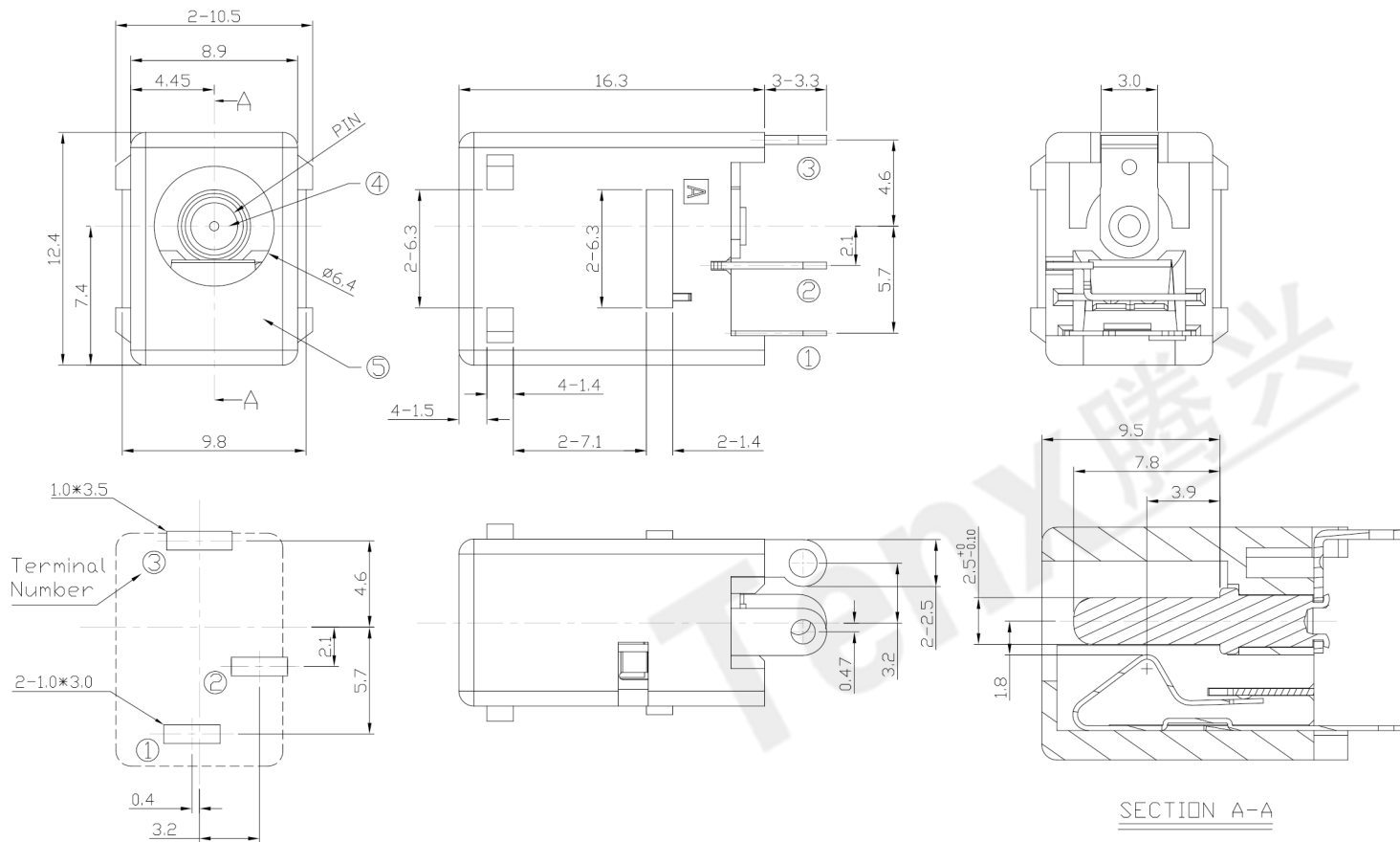




RoHS Compliant
2002/95/EC

REV.	ECN.	NO.	APPD.

DIMENSIONS



MODEL CODE:

DCS0-0242A- A □ PB BK S 0 4

(1) (2) (3)(4)(5) (6) (7)(8) (9)

(1):Series type:DIP DC POWER JACK.

(2):Series No.

(3):Schematic option: A

(4):Center pin diameter:

H=φ2.0 , J=φ2.5

(5):Material of housing:

PB=PBT

(6):Housing color:

BK=Black

(7):Terminal plating

S=Silver(Ag)

(8):Special option:

0=No special option

(9):Packing mode:

4=Bag packing

Specification:

1.Rating :DC 16V 5A.

2.Contact resistance : ≤30mΩ

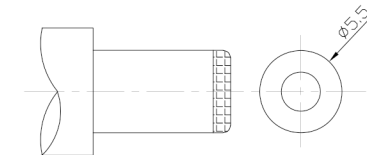
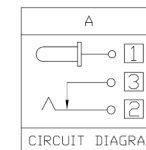
3.Insulation resistance : ≥100MΩ (DC500V).

4.Withstanding voltage: 500VAC .

5.Insertion and extraction force: 3~30N.

6.life test: 5000cycles min.

7.Operate temperature range:-25°C~85°C



Model No.	H	J
CENTER PIN	φ2.0	φ2.5

RECOMMENDED PCB LAYOUT
(TOP VIEW)

SECTION A-A

DC MATE PLUG

Bill of materials:

NO.	PARTS	MATERIAL	Q'TY	FINISHING	TOLERANCE	ANGLES	UNITS	mm
5	HOUSING	PBT	1	BLACK/WHITE	>15 ± 0.20	X°.±5°	MAT'L	
4	CENTER PIN	BRASS	1	AG-PLATING	0~15± 0.15	.X°±3°	SEE NOTE	
3	TERMINAL 3	BRASS	1	AG-PLATING			FINISH	
2	TERMINAL 2	BRASS	1	AG-PLATING			SEE NOTE	
1	TERMINAL 1	PHOSPHOR BRONZE	1	NI-PLATING			Q'TY	

THESE DRAWINGS AND SPECIFICATIONS ARE THE PROPERTY OF ACCURATE INNO TECH INC AND SHALL NOT BE REPRODUCED, COPIED OR USED IN ANY MANNER WITHOUT THE PRIOR WRITTEN CONSENT OF ACCURATE INNO TECH INC.

东莞市腾兴电子有限公司

TITLE:	DIP DC POWER JACK	PART NO.:	DCS0-0242A
DR:	Ricky 2019/03/22	DWG NO.:	ASS-0242A
CHKD:	Ricky 2019/03/22	SCALE	1:1
APPD:		SHEET	1/1
		REV.	A
		CUSTOMER DRAWING	