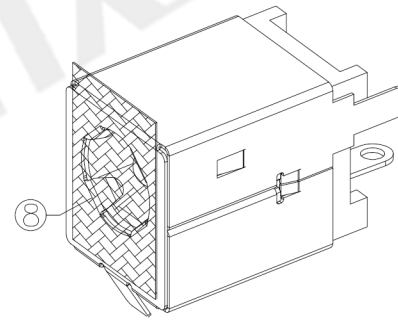
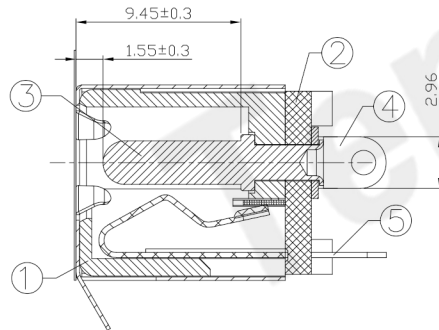
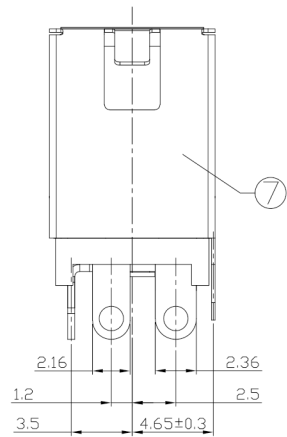
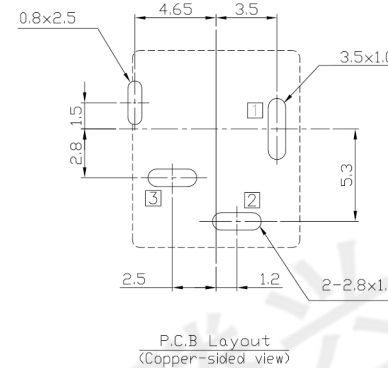
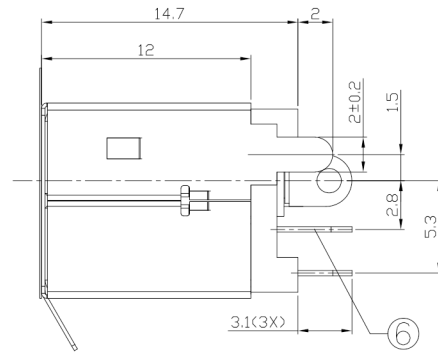
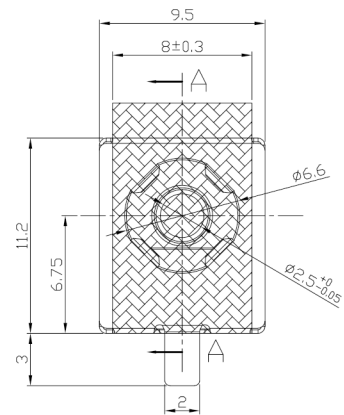




RoHS
Compliant
2002/95/EC

REV.	ECN.	NO.	APPD.

DIMENSIONS



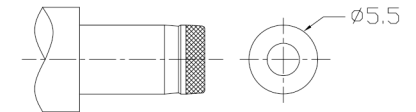
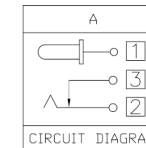
MODEL CODE:

DCB0-0012H- A J 10 BK S H 1

- (1) (2) (3)(4)(5) (6) (7)(8) (9)
 (1):Series type:DIP DC POWER JACK.
 (2):Series No.
 (3):Schematic option: A
 (4):Center pin diameter: J=2.5
 (5):Material of housing:
 10=PA10T
 (6):Housing color:
 BK=Black
 (7):Terminal plating
 S=Silver(Ag)
 (8):Special option:
 0=No special option
 H=Halogen Free
 (9):Packing mode:
 1=Reel packing

Specification:

- Rating : DC 20V 1A.
- Contact resistance : ≤30mΩ
After test: ≤50mΩ
- Insulation resistance : ≥100MΩ (500VDC).
After test: ≥50MΩ
- Withstanding voltage: 500VAC .
- Insertion and extraction force: 3N~30N.
- life test: 5000cycles min.
- Operation temperature range:-20℃~70℃.
- Preservative temperature range:-40℃~85℃.



DC MATE PLUG

○: ITEM NO. □: TERMINAL NO.

NO.	PARTS	MATERIAL	Q'TY	FINISHING
8	Mylar	Polyimide	1	
7	Shell	SUS301 t=0.2	1	Nickel plating
6	Shunt terminal 3	Brass t=0.3	1	Silver plating
5	Tip spring 2	Phosphor bronze t=0.3	1	Silver plating
4	Center pin terminal 1	Brass t=0.4	1	Silver plating
3	Center pin 1	Brass	1	Nickel plating
2	Cover	PA10T	1	Black
1	Housing	PA10T	1	Black

THESE DRAWINGS AND SPECIFICATIONS ARE THE PROPERTY OF ACCURATE INNOVATECH INC AND SHALL NOT BE REPRODUCED, COPIED OR USED IN ANY MANNER WITHOUT THE PRIOR WRITTEN CONSENT OF ACCURATE INNOVATECH INC.

TOLERANCE	ANGLES	UNITS	mm
±0.3	±2°	MAT'L	
		SEE NOTE	
		FINISH	
		SEE NOTE	
		Q'TY	

东莞市腾兴电子有限公司			
TITLE: DIP DC POWER JACK		PART NO.: DCB0-0012H	
DR: Ricky 2019/03/07		DWG NO.: AB0-0012H	
CHKD: Ricky 2019/03/07		SCALE	SHEET
APPD:		1:1	1/1
		REV.	CUSTOMER DRAWING
		A	