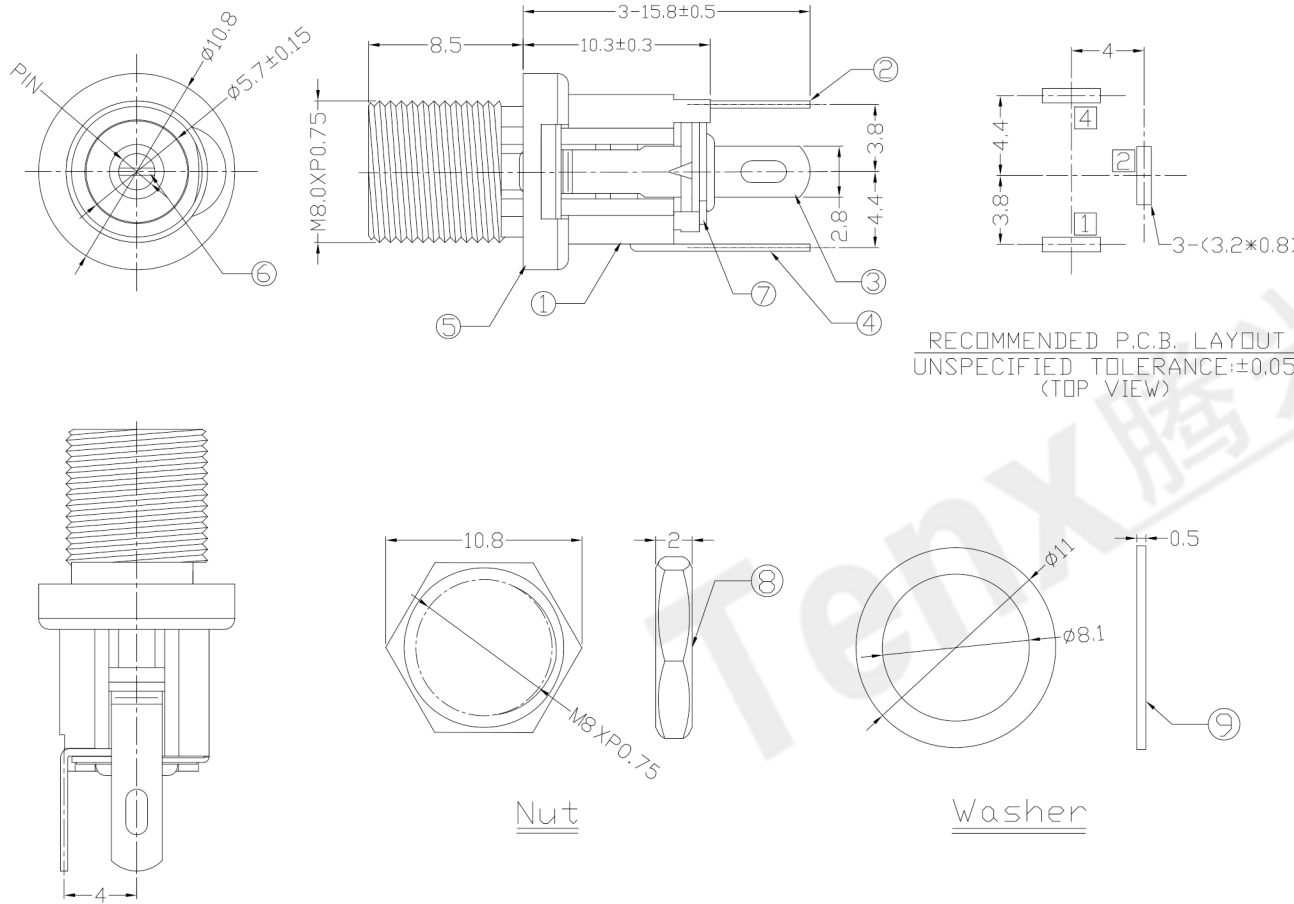




RoHS Compliant  
2002/95/EC

DIMENSIONS



RECOMMENDED P.C.B. LAYOUT  
UNSPECIFIED TOLERANCE: ±0.05  
(TOP VIEW)

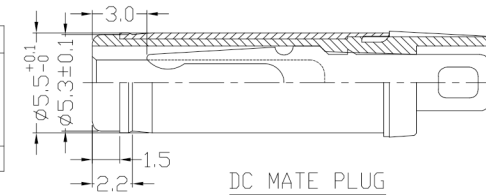
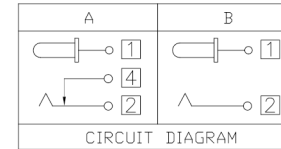
MODEL CODE:

DCB0-025BM- A □ PB BK C 0 4

- (1) Series type: DIP DC POWER JACK.
- (2) Series No.
- (3) Schematic option: A, B
- (4) Center pin diameter:  
H=∅2.0, I=∅2.35, J=∅2.5
- (5) Material of housing:  
PB=PBT (Only)
- (6) Housing color:  
BK=Black (Only)
- (7) Terminal plating  
S=Silver(Ag)  
T=Tin(Sn)  
C=copper&tin alloy plating (Standard)
- (8) Special option:  
0=No special option
- (9) Packing mode:  
4=Bag packing

SPECIFICATION:

- 1. Rating : DC 30V 3A;
- 2. Contact resistance: ≤30mΩ;  
After test: ≤50mΩ
- 3. Insulation resistance: ≥100MΩ (DC500V);  
After test: ≥50MΩ
- 4. Withstand voltage: 500VAC ;
- 5. Insertion and extraction force: 3-30N;
- 6. Life test: 5,000 cycles;
- 7. Operation temperature range: -20°C~70°C;
- 8. Preservative temperature range: -40°C~85°C;



Model No.	H	I	J
CENTER PIN	∅2.0	∅2.35	∅2.5

○: ITEM NO. □: TERMINAL NO.

NO.	PARTS	MATERIAL	Q'TY	FINISHING
9	Washer	Stel	1	Ni-plating
8	Nut	Brass	1	Ni-plating
7	Washer	Bakelite	2	
6	Pin	Bronze	1	Ni-plating
5	Bushing	Brass	1	Ni-plating
4	Shunt Terminal 4	Brass	1	Cu-Sn-Plating
3	Tip Spring 2	Phosphor bronze	1	Cu-Sn-Plating
2	Center pin terminal 1	Brass	1	Cu-Sn-Plating
1	Housing	PBT	1	Black

THESE DRAWINGS AND SPECIFICATIONS ARE THE PROPERTY OF ACCURATE INNO TECH INC AND SHALL NOT BE REPRODUCED, COPIED OR USED IN ANY MANNER WITHOUT THE PRIOR WRITTEN CONSENT OF ACCURATE INNO TECH INC.

**东莞市腾兴电子有限公司**

TITLE: DIP DC POWER JACK	PART NO.: DCB0-025BM
DR: Ricky 2019/04/10	DWG NO.: AB0-025BM
CHKD: Ricky 2019/04/10	SCALE: 1:1
APPD:	SHEET: 1/1
	REV: A
	CUSTOMER DRAWING