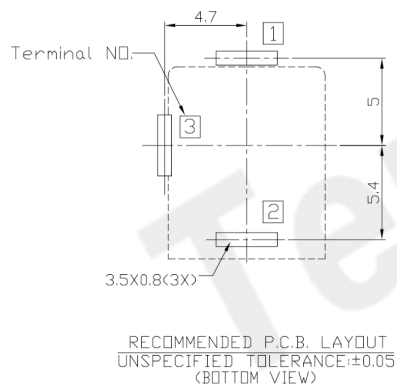
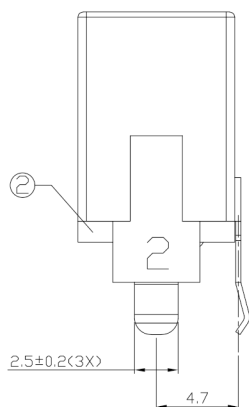
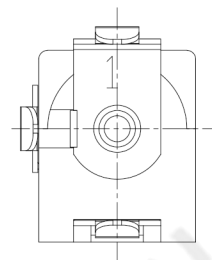
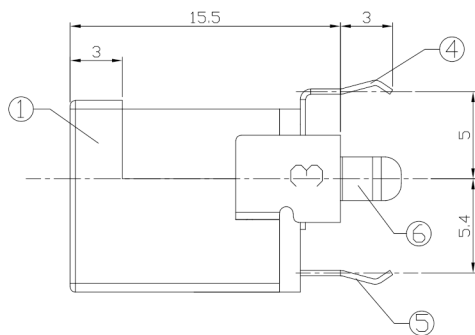
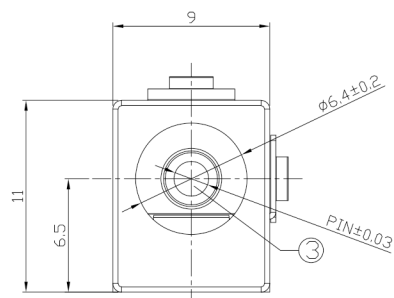




RoHS Compliant
2002/95/EC

| REV. | ECN. | NO. | APPD. |
|------|------|-----|-------|
| | | | |
| | | | |

DIMENSIONS



MODEL CODE:

DCB0-00130- A □ PB BK I 0 4

(1) (2) (3)(4) (5) (6) (7)(8) (9)

(1):Series type:DIP DC POWER JACK.

(2):Series No.

(3):Schematic option: A , B

(4):Center pin diameter:

H= $\phi 2.0$, I= $\phi 2.35$, J= $\phi 2.5$

(5):Material of housing:

PB=PBT (Standard)

(6):Housing color:

BK=Black

(7):Terminal plating

T=Tin(Sn)

(8):Special option:

0=No special option

(9):Packing mode:

4=Bag packing

Specification:

1.Rating :DC 20V 2.5A.

2.Contact resistance : $\leq 30m\Omega$

After test: $\leq 50m\Omega$

3.Insulation resistance : $\geq 100M\Omega$ (500VDC).

After test: $\geq 50M\Omega$

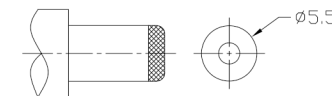
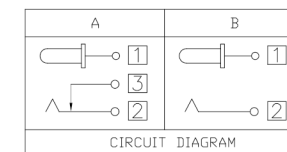
4.Withstanding voltage: 500VAC .

5.Insertion and extraction force: 3N~30N.

6.life test: 5000cycles min.

7.□operation temperature range: $-20^{\circ}C \sim 70^{\circ}C$.

8.Preservative temperature range: $-40^{\circ}C \sim 85^{\circ}C$.



| Model No. | H | I | J |
|------------|------------|-------------|------------|
| CENTER PIN | $\phi 2.0$ | $\phi 2.35$ | $\phi 2.5$ |

○: ITEM NO. □: TERMINAL NO.

| NO. | PARTS | MATERIAL | Q'TY | FINISHING | TOLERANCE | ANGLES | UNITS | mm |
|-----|-----------------------|-----------------------|------|----------------|---|----------|-------|----------|
| ⑥ | Shunt terminal ③ | Brass t=0.3 | 1 | Tin plating | ±0.3 | ±2° | MAT'L | SEE NOTE |
| ⑤ | Tip spring ② | Phosphor bronze t=0.3 | 1 | Tin plating | | | | |
| ④ | Center pin terminal ① | Brass t=0.3 | 1 | Tin plating | FINISH | SEE NOTE | Q'TY | SEE NOTE |
| ③ | Center pin ① | Copper alloy | 1 | Nickel plating | | | | |
| ② | Cover | PF | 1 | | THESE DRAWINGS AND SPECIFICATIONS ARE THE PROPERTY OF ACCURATE INNO TECH INC AND SHALL NOT BE REPRODUCED, COPIED OR USED IN ANY MANNER WITHOUT THE PRIOR WRITTEN CONSENT OF ACCURATE INNO TECH INC. | | | |
| ① | Housing | PBT | 1 | Black | | | | |
| | | | | | | | | |

东莞市腾兴电子有限公司

TITLE: DIP DC POWER JACK

PART NO.: DCB0-00130

DR: Ricky 2019/03/07

DWG NO.: AB0-00130

CHKD: Ricky 2019/03/07

SCALE SHEET REV. CUSTOMER DRAWING

1:1 1/1 A