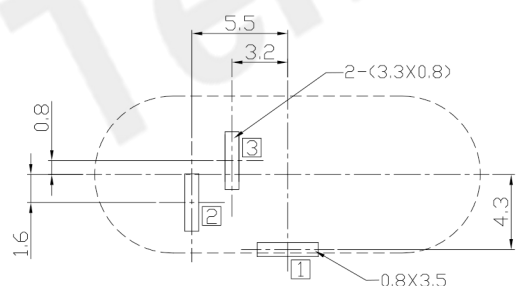
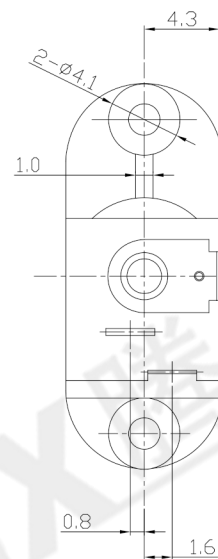
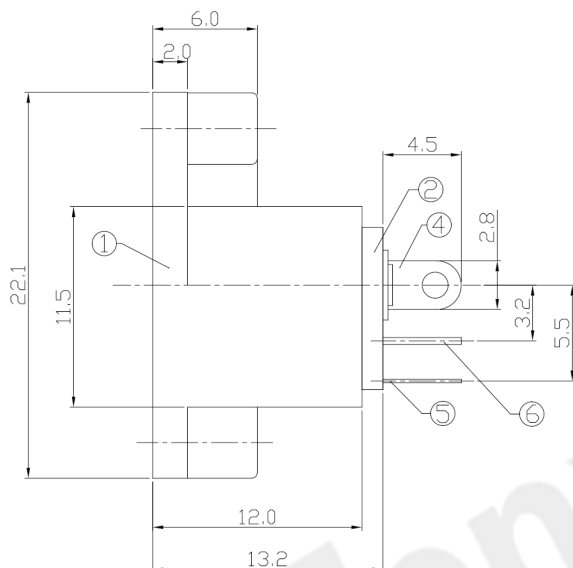
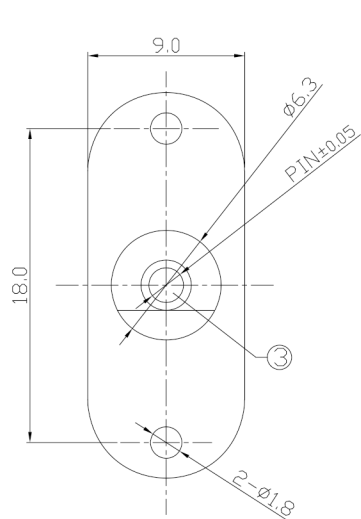




RoHS Compliant
2002/95/EC

REV.	ECN.	NO.	APPD.

DIMENSIONS



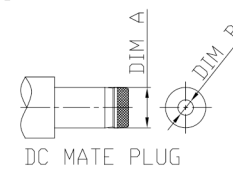
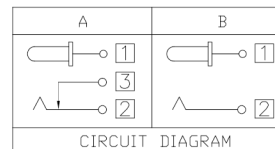
RECOMMENDED P.C.B. LAYOUT
UNSPECIFIED TOLERANCE:±0.05
(BOTTOM VIEW)

MODEL CODE:

- DCB0-00180- A □ PB BK I 0 4
 (1) (2) (3)(4) (5) (6) (7)(8) (9)
 (1):Series type:DIP DC POWER JACK.
 (2):Series No.
 (3):Schematic option: A , B
 (4):Center pin diameter:
 H=φ2.0 , I=φ2.35 , J=φ2.5
 (5):Material of housing:
 PB=PBT
 (6):Housing color:
 BK=Black
 (7):Terminal plating
 T=Tin(Sn)
 (8):Special option:
 0=No special opion
 (9):Packing mode:
 4=Bag packing

SPECIFICATION:

- Rating : DC 20V 3A;
- Contact resistance: ≤50mΩ;
After test:≤100mΩ
- Insulation resistance: ≥100MΩ (DC500V);
After test:≥50MΩ
- Withstand voltage: 500VAC ;
- Insertion and extraction force: 3-30N;
- life test: 5,000 cycles;
- Operation temperature range:-20°C~70°C;
- Preservative temperature range:-40°C~85°C;



Model No.	H	I	J
CENTER PIN	φ2.0	φ2.35	φ2.5
DIM A	φ5.5±0.05	φ5.5±0.05	φ5.5±0.05
DIM B	φ2.05 ^{+0.10} _{-0.00}	φ2.40 ^{+0.10} _{-0.00}	φ2.55 ^{+0.10} _{-0.00}

○: ITEM NO. □: TERMINAL NO.

NO.	PARTS	MATERIAL	Q'TY	FINISHING	TOLERANCE	ANGLES	UNITS
⑥	Shunt terminal ③	Brass	1	Tin Plating	.X ±0.50	X ±5'	mm
⑤	Tip spring ②	Mn steel	1	Tin Plating	.XX ±0.30	.X ±3'	MAT'L
④	Center pin terminal ①	Brass	1	Tin Plating	.XXX ±0.15	.XX ±2'	SEE NOTE
③	Center pin	Brass	1	Ni plating			FINISH
②	Cover	Thermoplastic	1	Black			SEE NOTE
①	Housing	Thermoplastic	1	Black			Q'TY

THESE DRAWINGS AND SPECIFICATIONS ARE THE PROPERTY OF ACCURATE INNO TECH INC AND SHALL NOT BE REPRODUCED, COPIED OR USED IN ANY MANNER WITHOUT THE PRIOR WRITTEN CONSENT OF ACCURATE INNO TECH INC.

东莞市腾兴电子有限公司			
TITLE: DIP DC POWER JACK		PART NO.: DCB0-00180	
DR: Ricky 2019/04/09		DWG NO.: AB0-00180	
CHKD: Ricky 2019/04/09		SCALE: 1:1	SHEET: 1/1
APPD:		REV: A	CUSTOMER DRAWING