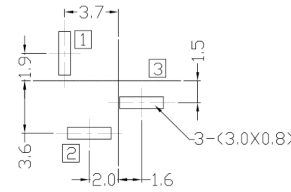
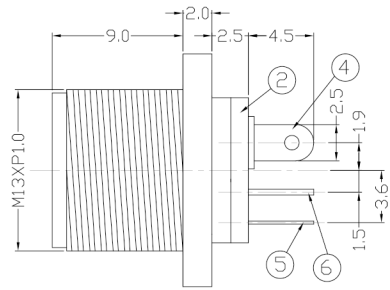
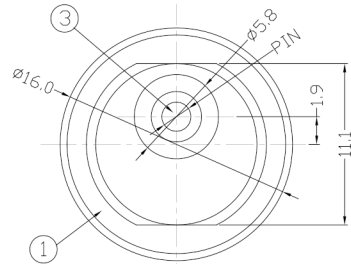


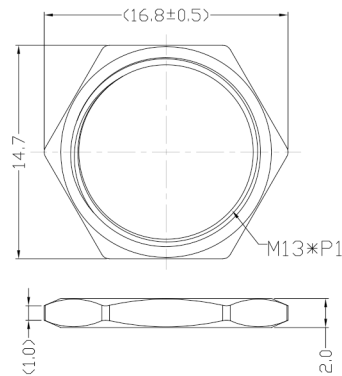


RoHS Compliant
2002/95/EC

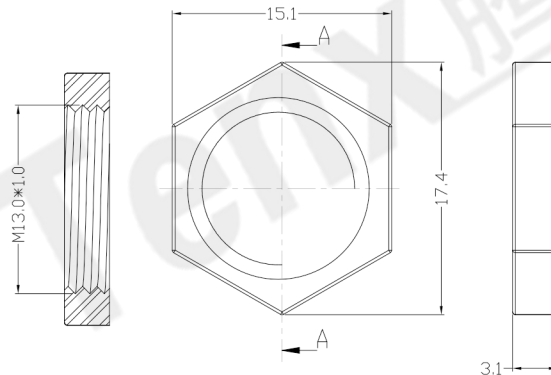
DIMENSIONS



RECOMMENDED P.C.B. LAYOUT
UNSPECIFIED TOLERANCE: ±0.05
(TOP VIEW)



Metal Nut



Plastic Nut

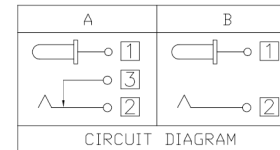
MODEL CODE:

DCB0-00210- A □ PB BK I 0 4

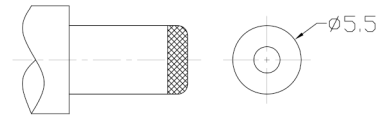
- (1): Series type: DIP DC POWER JACK.
- (2): Series No.
- (3): Schematic option: A , B
- (4): Center pin diameter:
H=φ2.0, I=φ2.35, J=φ2.5
- (5): Material of housing:
PB=PBT (Standard)
- (6): Housing color:
BK=Black (Standard)
- (7): Terminal plating
T=Tin(Sn)
- (8): Special option:
0=Nut need not been assembled onto audio jack
B=Nut need been assembled onto audio jack
D=Without Nut
- (9): Packing mode:
4=Bag packing

SPECIFICATION:

- 1. Rating : DC 30V 1A;
- 2. Contact resistance : ≤50mΩ;
- 3. Insulation resistance : ≥100MΩ (DC250V);
- 4. Withstand voltage : 500VAC ;
- 5. Insertion and extraction force : 3-30N;
- 6. life test : 5,000 cycles;
- 7. Operation temperature range : -20°C~70°C;
- 8. Preservative temperature range : -25°C~85°C;



CIRCUIT DIAGRAM



DC MATE PLUG

Model No.	H	I	J
CENTER PIN	φ2.0	φ2.35	φ2.5

○: ITEM NO. □: TERMINAL NO.

NO.	PARTS	MATERIAL	Q'TY	FINISHING	TOLERANCE	ANGLES	UNITS
⑥	Shunt terminal ③	Copper Alloy	1	Sn Plating	.X ±0.50	X ±5°	mm
⑤	Tip spring ②	Stainless steel	1	Sn Plating	.XX ±0.30	.X ±3°	MAT'L
④	Center pin terminal ①	Copper Alloy	1	Sn Plating	.XXX ±0.15	.XX ±2°	SEE NOTE
③	Center pin ①	Copper Alloy	1	Ni Plating			FINISH
②	Cover	PF	1				SEE NOTE
①	Housing	Thermoplastic	1	Black			Q'TY

THESE DRAWINGS AND SPECIFICATIONS ARE THE PROPERTY OF ACCURATE INNO TECH INC AND SHALL NOT BE REPRODUCED, COPIED OR USED IN ANY MANNER WITHOUT THE PRIOR WRITTEN CONSENT OF ACCURATE INNO TECH INC.



东莞市腾兴电子有限公司

TITLE:	DIP DC POWER JACK	PART NO.:	DCB0-00210
DR:	Ricky 2019/04/09	DWG NO.:	AB0-00210
CHKD:	Ricky 2019/04/09	SCALE	SHEET
APPD:		1:1	1/1
		REV.	A
		CUSTOMER DRAWING	