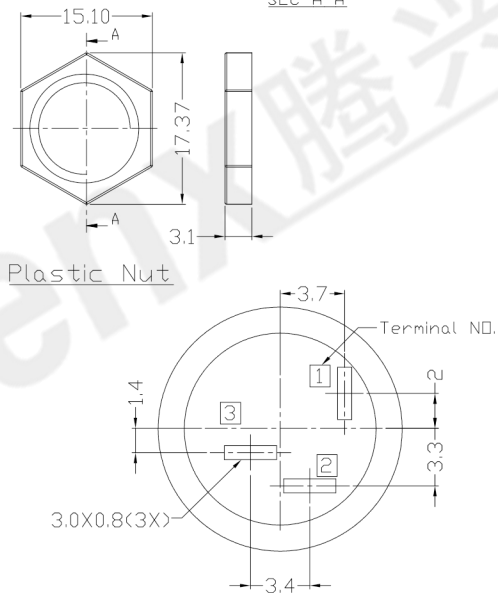
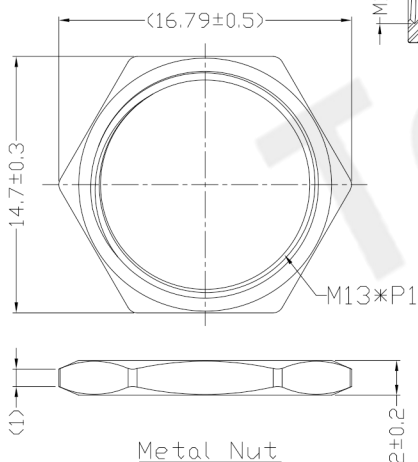
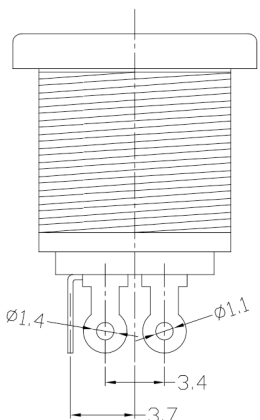
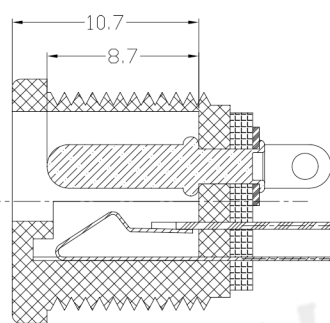
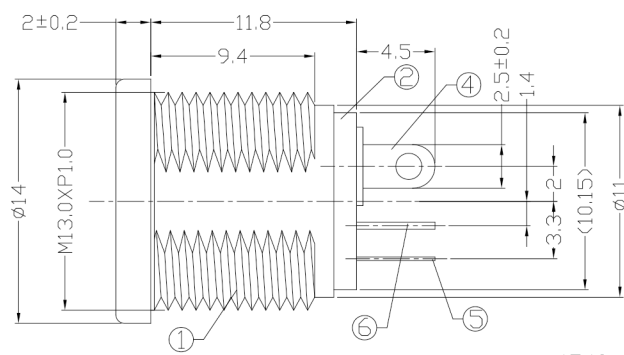
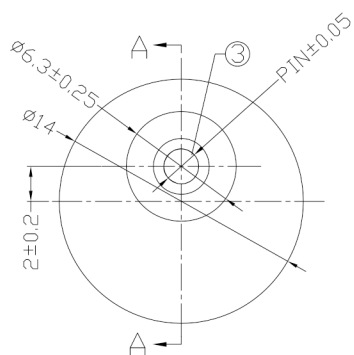




RoHS  
Compliant  
2002/95/EC

DIMENSIONS



MODEL CODE:

DCB0-00220- A □ PB BK I 0 4

(1) (2) (3)(4) (5) (6) (7)(8) (9)

(1):Series type:DIP DC POWER JACK.

(2):Series No.

(3):Schematic option: A , B

(4):Center pin diameter:

H=φ2.0, I=φ2.35, J=φ2.5

(5):Material of housing:

PB=PBT (Standard)

(6):Housing color:

BK=Black

(7):Terminal plating

T=Tin(Sn)

(8):Special option:

0=Mate metal nut

1=Mate plastic nut

B=Metal nut(nut need been assembled onto DC jack)

(9):Packing mode:

4=Bag packing

SPECIFICATION:

1.Rating : DC 20V 2.5A;

2.Contact resistance: ≤50mΩ;

After test:≤100mΩ

3.Insulation resistance: ≥100MΩ (DC500V);

After test:≥50MΩ

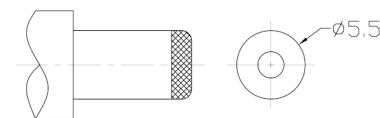
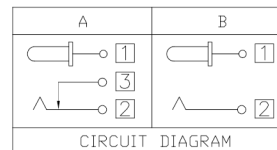
4.Withstand voltage: 500VAC ;

5.Insertion and extraction force: 3-30N;

6.life test: 5,000 cycles;

7.Operation temperature range:-20°C~70°C;

8.Preservative temperature range:-40°C~85°C;



Model No.	H	I	J
CENTER PIN	φ2.0	φ2.35	φ2.5

○: ITEM NO. □: TERMINAL NO.

NO.	PARTS	MATERIAL	Q'TY	FINISHING
⑥	Shunt terminal	Brass t=0.3	1	Tin Plating
⑤	Tip spring	Stainless steel t0.25	1	Tin Plating
④	Center pin terminal	Brass t=0.3	1	Tin Plating
③	Center pin	Copper alloy	1	CuSn Plating
②	Cover	PF	1	
①	Housing	PBT	1	Black

THESE DRAWINGS AND SPECIFICATIONS ARE THE PROPERTY OF ACCURATE INNOTECH INC AND SHALL NOT BE REPRODUCED, COPIED OR USED IN ANY MANNER WITHOUT THE PRIOR WRITTEN CONSENT OF ACCURATE INNOTECH INC.

TOLERANCE	ANGLES	UNITS	mm
±0.3	±2°	MAT'L	
		SEE NOTE	
		FINISH	
		SEE NOTE	
		Q'TY	

东莞市腾兴电子有限公司

TITLE:	DIP DC POWER JACK	PART NO.:	DCB0-00220
DR:	Ricky 2019/04/10	DWG NO.:	AB0-00220
CHKD:	Ricky 2019/04/10	SCALE	SHEET
APPD:		1:1	1/1
		REV.	A
		CUSTOMER	DRAWING