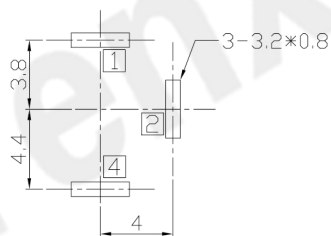
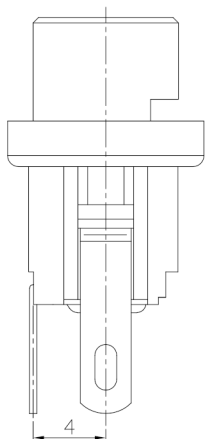
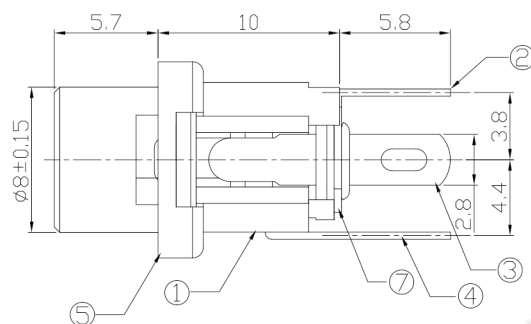
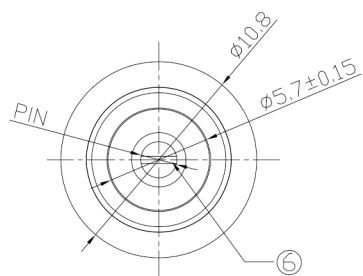




RoHS
Compliant
2002/95/EC

DIMENSIONS



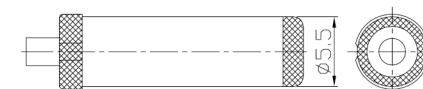
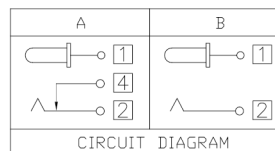
P.C.B Layout
(Copper-sided view)

MODEL CODE:

DCB0-00250- A □ PB BK C 0 4
 (1) (2) (3)(4) (5) (6) (7)(8) (9)
 (1):Series type:DIP DC POWER JACK.
 (2):Series No.
 (3):Schematic option: A , B
 (4):Center pin diameter:
 H=φ2.0 , I=φ2.35 , J=φ2.5
 (5):Material of housing:
 PB=PBT (□)
 (6):Housing color:
 BK=Black (□)
 (7):Terminal plating
 S=Silver(Ag)
 T=Tin(Sn)
 C=copper&tin alloy plating (Standard)
 (8):Special option:
 0=No special option
 (9):Packing mode:
 4=Bag packing

SPECIFICATION:

- 1.Rating : DC 30V 3A;
- 2.Contact resistance: $\leq 30m\Omega$;
- 3.Insulation resistance: $\geq 100M\Omega$ (DC250V);
- 4.Withstand voltage: 500VAC ;
- 5.Insertion and extraction force: 3-30N;
- 6.life test: 5,000 cycles;
- 7.Operation temperature range:-20°C~70°C;
- 8.Preservative temperature range:-40°C~85°C;



DC MATE PLUG

Model No.	H	I	J
CENTER PIN	φ2.0	φ2.35	φ2.5

○: ITEM NO. □: TERMINAL NO.

NO.	PARTS	MATERIAL	Q'TY	FINISHING	TOLERANCE	ANGLES	UNITS	mm
7	Washer	Bakelite	2		±0.3	±2'	MAT'L	
6	Pin	Brass	1	Ni-plating			SEE NOTE	
5	Bushing	Brass	1	Ni-plating			FINISH	
4	Shunt Terminal 4	Brass	1	Cu-Sn-Plating			SEE NOTE	
3	Tip Spring 2	Phosphor bronze	1	Cu-Sn-Plating			Q'TY	
2	Center pin terminal 1	Brass	1	Cu-Sn-Plating				
1	Housing	PBT	1	Black				

THESE DRAWINGS AND SPECIFICATIONS ARE THE PROPERTY OF ACCURATE INNO TECH INC AND SHALL NOT BE REPRODUCED, COPIED OR USED IN ANY MANNER WITHOUT THE PRIOR WRITTEN CONSENT OF ACCURATE INNO TECH INC.

东莞市腾兴电子有限公司

TITLE: DIP DC POWER JACK PART NO.: DCB0-00250

DR: Ricky 2019/04/10 DWG NO.: AB0-00250

CHKD: Ricky 2019/04/10 SCALE SHEET REV. CUSTOMER DRAWING
1:1 1/1 A

