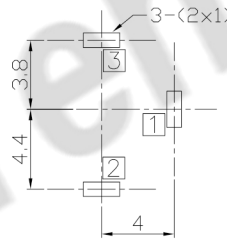
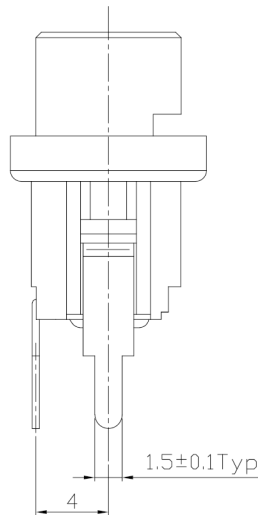
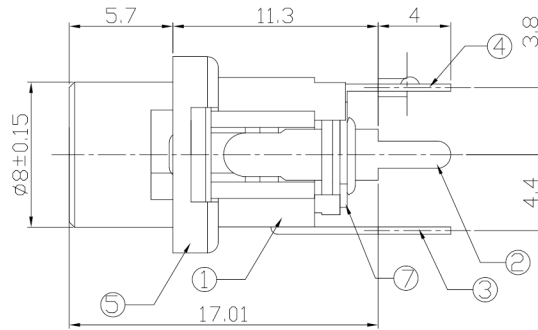
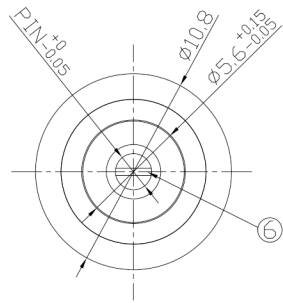




RoHS Compliant
2002/95/EC

DIMENSIONS



RECOMMENDED P.C.B. LAYOUT
UNSPECIFIED TOLERANCE: ±0.05
(BOTTOM VIEW)

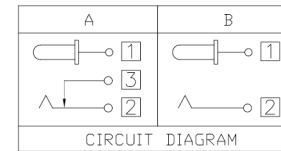
MODEL CODE:

DCB0-00260- A □ PB BK C 0 4

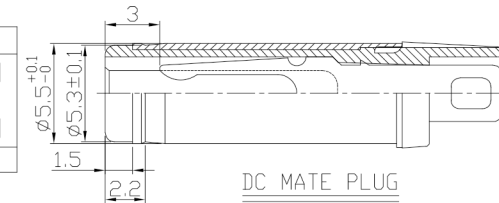
- (1): Series type: DIP DC POWER JACK.
- (2): Series No.
- (3): Schematic option: A , B
- (4): Center pin diameter:
H=ø2.0 , I=ø2.35 , J=ø2.5
- (5): Material of housing:
66=PA66
PB=PBT
- (6): Housing color:
BK=Black
- (7): Terminal plating
C=Copper&tin alloy plating
- (8): Special option:
0=No special option
- (9): Packing mode:
4=Bag packing

SPECIFICATION:

- 1. Rating : DC 30V 3A;
- 2. Contact resistance: ≤30mΩ;
After test: ≤50mΩ
- 3. Insulation resistance: ≥100MΩ (DC500V);
After test: ≥50MΩ
- 4. Withstand voltage: 500VAC ;
- 5. Insertion and extraction force: 3-30N;
- 6. life test: 5,000 cycles;
- 7. Operation temperature range: -20°C~70°C;
- 8. Preservative temperature range: -40°C~85°C;



Model No.	H	I	J
CENTER PIN	ø2.0	ø2.35	ø2.5



○: ITEM NO. □: TERMINAL NO.

NO.	PARTS	MATERIAL	Q'TY	FINISHING
7	Washer	Bakelite	2	
6	Pin	Copper alloy	1	Nickel plating
5	Bushing	Copper alloy	1	Nickel plating
4	Shunt Terminal ③	Brass	1	Copper&tin plating
3	Tip Spring ②	Phosphor bronze	1	Copper&tin plating
2	Center pin terminal ①	Brass	1	Copper&tin plating
1	Housing	PA66/PBT	1	Black

THESE DRAWINGS AND SPECIFICATIONS ARE THE PROPERTY OF ACCURATE INNOVATECH INC AND SHALL NOT BE REPRODUCED, COPIED OR USED IN ANY MANNER WITHOUT THE PRIOR WRITTEN CONSENT OF ACCURATE INNOVATECH INC.

TOLERANCE	ANGLES	UNITS	东莞市腾兴电子有限公司			
±0.3	±2'	mm				
		MAT'L	TITLE: DIP DC POWER JACK		PART NO.: DCB0-00260	
		SEE NOTE	DR: Ricky 2019/04/10		DWG NO.: AB0-00260	
		FINISH	CHKD: Ricky 2019/04/10			
		SEE NOTE	APPD:			
		Q'TY	SCALE: 1:1	SHEET: 1/1	REV: A	CUSTOMER DRAWING