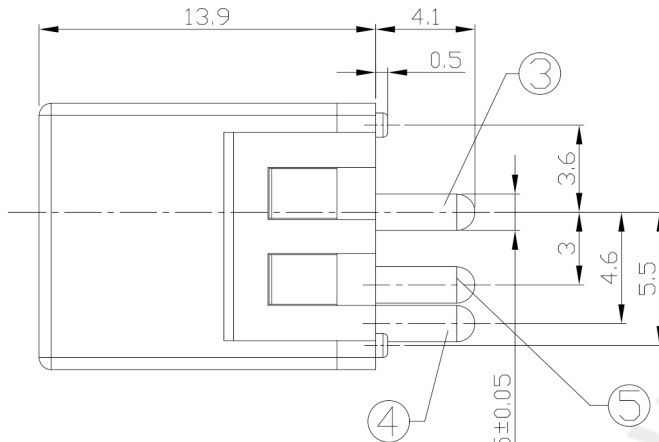
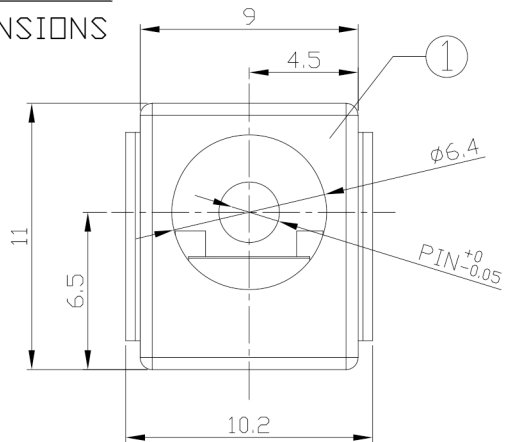




RoHS Compliant
2002/95/EC

REV.	ECN.	NO.	APPD.

DIMENSIONS

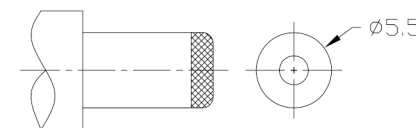
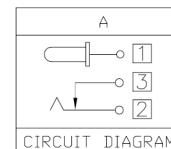


MODEL CODE:

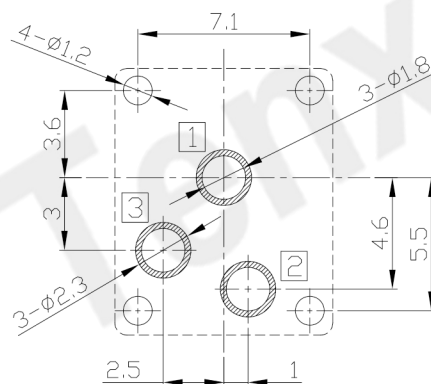
DCB0-00510- A □ PB BK S 0 4
 (1) (2) (3)(4) (5) (6) (7)(8) (9)
 (1):Series type:DIP DC POWER JACK.
 (2):Series No.
 (3):Schematic option: A
 (4):Center pin diameter:
 H=Ø2.0 , J=Ø2.5
 (5):Material of housing:
 PB=PBT(Default)
 (6):Housing color:
 BK=Black
 (7):Terminal plating
 S=Silver(Ag)
 (8):Special option:
 0=No special option
 (9):Packing mode:
 4=Bag packing

SPECIFICATION:

- Rating : DC 24V 3.5A;
- Contact resistance: $\leq 30m\Omega$;
After test: $\leq 50m\Omega$
- Insulation resistance: $\geq 100M\Omega$ (DC500V);
After test: $\geq 50M\Omega$
- Withstand voltage: 500VAC ;
- Insertion and extraction force: 3-30N;
- life test: 5,000 cycles;
- Operation temperature range:-20°C~70°C;
- Preservative temperature range:-40°C~85°C;



Model No.	H	J
CENTER PIN	Ø2.0	Ø2.5



PCB HOLES(BOTTOM VIEW) t=1.6mm
 NOTE:GENERAL TOLERANCE:±0.05mm

○: ITEM NO. □: TERMINAL NO.

NO.	PARTS	MATERIAL	Q'TY	FINISHING	TOLERANCE	ANGLES	UNITS	mm	东莞市腾兴电子有限公司					
⑤	Shunt terminal ③	Brass t=0.3	1	Silver plating	±0.3	±2°	MAT'L	SEE NOTE	TITLE: DIP DC POWER JACK		PART NO.: DCB0-00510			
④	Tip spring ②	Phosphor bronze t=0.3	1	Silver plating			FINISH	SEE NOTE	DR: Ricky 2019/04/30		DWG NO.: AB0-00510			
③	Center pin ①	Brass	1	Silver plating			Q'TY		CHKD: Ricky 2019/04/30		SCALE	SHEET	REV.	CUSTOMER
②	Cover	Thermoplastic UL94V-0	1	Black					APPD:		1:1	1/1	A	DRAWING
①	Housing	PBT UL94V-0	1	Black										

THESE DRAWINGS AND SPECIFICATIONS ARE THE PROPERTY OF ACCURATE INNO TECH INC AND SHALL NOT BE REPRODUCED, COPIED OR USED IN ANY MANNER WITHOUT THE PRIOR WRITTEN CONSENT OF ACCURATE INNO TECH INC.

