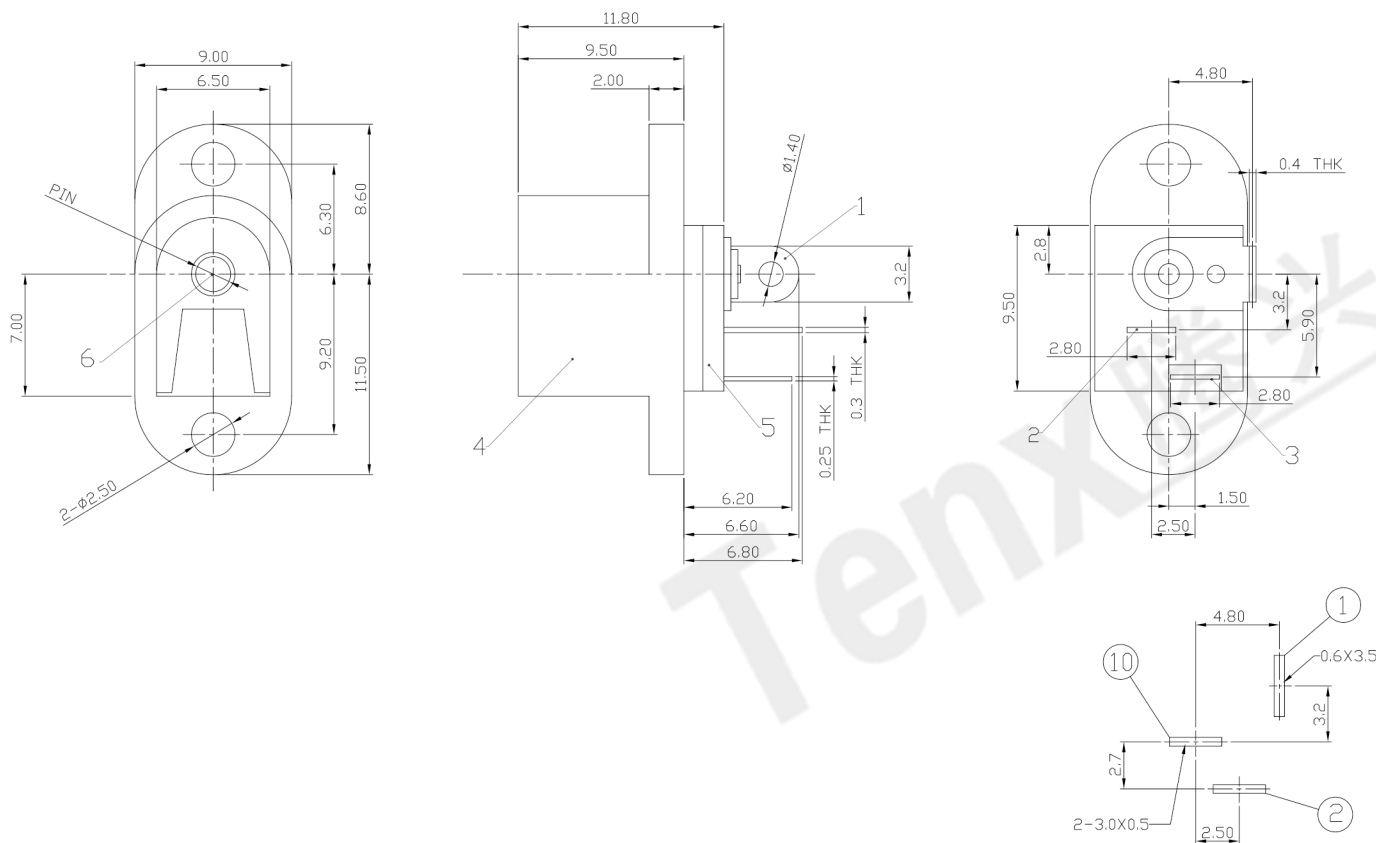




**RoHS Compliant**  
2002/95/EC

REV.	ECN. NO.	APPD.

### DIMENSIONS



### MODEL CODE:

DCE0-00250- A □ 66 BK S 0 4

(1) (2) (3)<4> (5) (6) (7)<8> (9)

(1):Series type:DIP DC POWER JACK.

(2):Series No.

(3):Schematic option: A

(4):Center pin diameter:

H= $\phi 2.0$ , I= $\phi 2.35$ , J= $\phi 2.5$

(5):Material of housing:

66=PA66

(6):Housing color:

BK=Black

(7):Terminal plating

S=Silver(Ag)

(8):Special option:

0=No special option

(9):Packing mode:

4=Bag packing

### Specification:

1.Rating :DC 30V 0.3A.

2.Contact resistance : $\leq 100m\Omega$

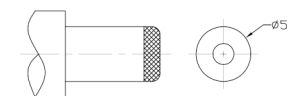
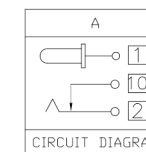
3.Insulation resistance : $\geq 100M\Omega$  (500VDC).

4.Withstanding voltage: 500VAC .

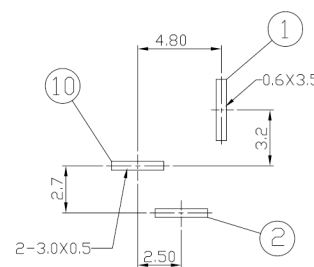
5.Insertion and extraction force: 0.3~3Kgs.

6.life test: 5000cycles min.

7.Operation temperature range:-25°C~85°C



DC MATE PLUG



Model No.	H	I	J
CENTER PIN	$\phi 2.0$	$\phi 2.35$	$\phi 2.5$

### Bill of materials:

NO.	PARTS	MATERIAL	Q'TY	FINISHING
6	PLUG PIN	BRASS	1	Ni PLATED
5	TERMINAL BASE	PHENOLIC RESIN	1	NATURAL
4	CASE	NYLON	1	BLACK
3	SPRING TERMINAL	SUS STRIP	1	Ag PLATED
2	TERMINAL	BRASS STRIP	1	Ag PLATED
1	TERMINAL	BRASS STRIP	1	Ag PLATED

GENERAL TOLERANCE	UNITS mm
WITHIN 1.5mm±0.1mm	MAT'L
OVER 1.5mm±0.2mm	SEE NOTE
THESE DRAWINGS AND SPECIFICATIONS ARE THE PROPERTY OF ACCURATE INNO TECH INC AND SHALL NOT BE REPRODUCED, COPIED OR USED IN ANY MANNER WITHOUT THE PRIOR WRITTEN CONSENT OF ACCURATE INNO TECH INC.	FINISH
	SEE NOTE
	Q'TY

<b>东莞市腾兴电子有限公司</b>			
TITLE: DIP DC POWER JACK		PART NO.: DCE0-00250	
DR: Ricky 2019/03/18		DWG NO.: AZJ-00250	
CHKD: Ricky 2019/03/18		SCALE	SHEET
APPD:		1:1	1/1
		REV. A	CUSTOMER DRAWING