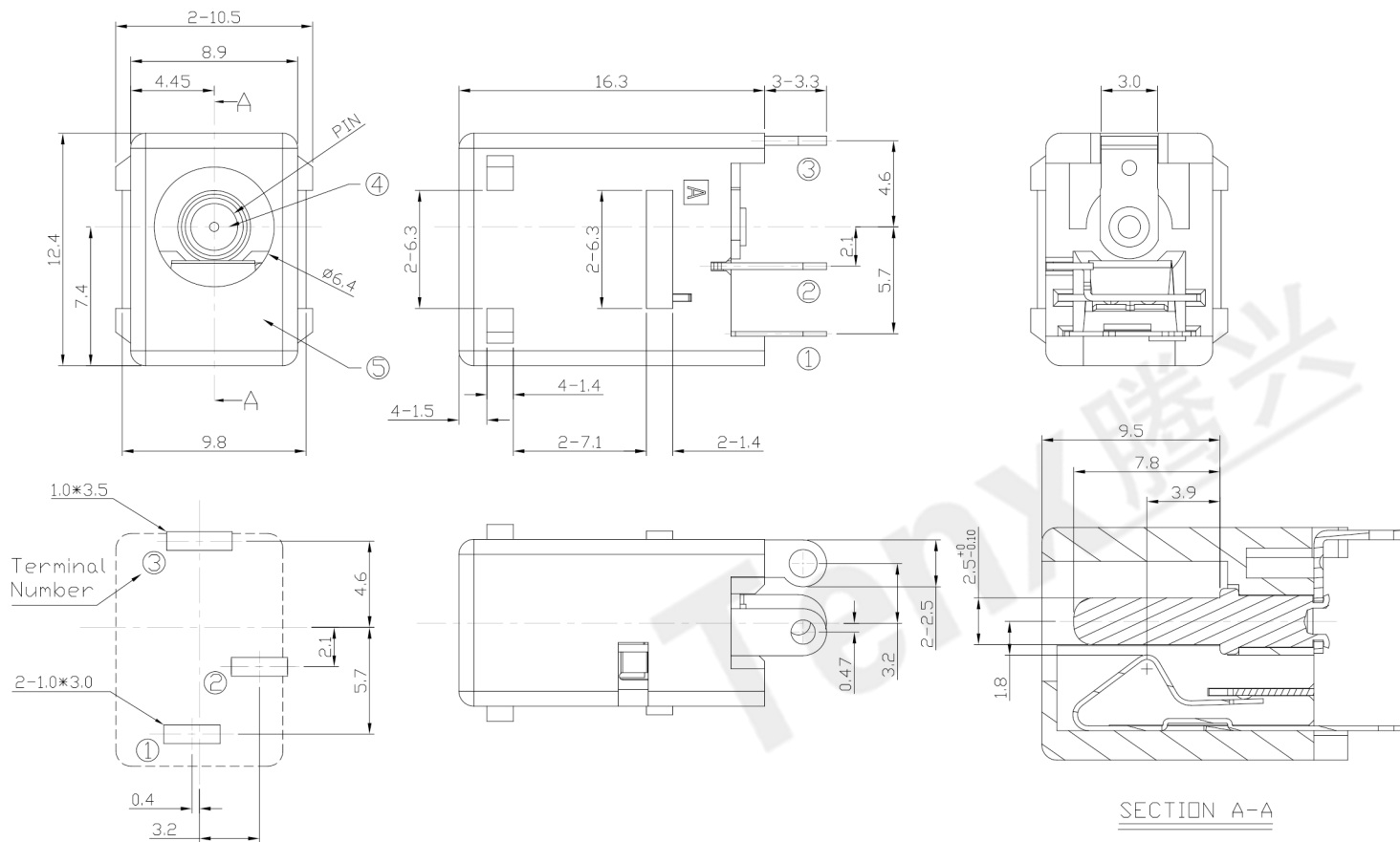




RoHS Compliant
2002/95/EC

REV.	ECN.	NO.	APPD.

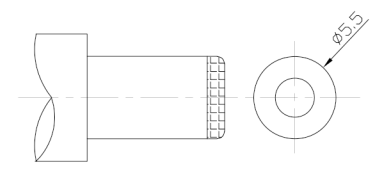
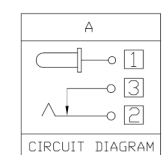
DIMENSIONS



RECOMMENDED PCB LAYOUT
(TOP VIEW)

MODEL CODE:
DCS0-0242A- A □ PB BK S 0 4
(1) (2) (3)(4)(5) (6) (7)(8) (9)
(1):Series type:DIP DC POWER JACK.
(2):Series No.
(3):Schematic option: A
(4):Center pin diameter:
H=φ2.0 , J=φ2.5
(5):Material of housing:
PB=PBT
(6):Housing color:
BK=Black
(7):Terminal plating
S=Silver(Ag)
(8):Special option:
0=No special option
(9):Packing mode:
4=Bag packing

Specification:
1.Rating :DC 16V 5A.
2.Contact resistance : ≤30mΩ
3.Insulation resistance : ≥100MΩ (DC500V).
4.Withstanding voltage: 500VAC .
5.Insertion and extraction force: 3~30N.
6.life test: 5000cycles min.
7.Operation temperature range:-25°C~85°C



Model No.	H	J
CENTER PIN	φ2.0	φ2.5

Bill of materials:

NO.	PARTS	MATERIAL	Q'TY	FINISHING
5	HOUSING	PBT	1	BLACK/WHITE
4	CENTER PIN	BRASS	1	AG-PLATING
3	TERMINAL 3	BRASS	1	AG-PLATING
2	TERMINAL 2	BRASS	1	AG-PLATING
1	TERMINAL 1	PHOSPHOR BRONZE	1	NI-PLATING

TOLERANCE	ANGLES	UNITS	mm
>15 ± 0.20	X°.±5°	MAT'L	SEE NOTE
0~15± 0.15	.X°±3°	FINISH	SEE NOTE
<small>THESE DRAWINGS AND SPECIFICATIONS ARE THE PROPERTY OF ACCURATE INNO TECH INC AND SHALL NOT BE REPRODUCED, COPIED OR USED IN ANY MANNER WITHOUT THE PRIOR WRITTEN CONSENT OF ACCURATE INNO TECH INC.</small>		Q'TY	SEE NOTE

东莞市腾兴电子有限公司

TITLE: DIP DC POWER JACK		PART NO.: DCS0-0242A	
DR: Ricky 2019/03/22		DWG NO.: ASS-0242A	
CHKD: Ricky 2019/03/22		SCALE	SHEET
APPD:		1:1	1/1
		REV.	CUSTOMER DRAWING
		A	