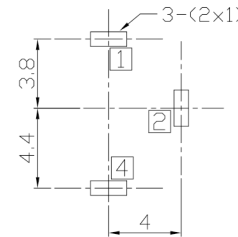
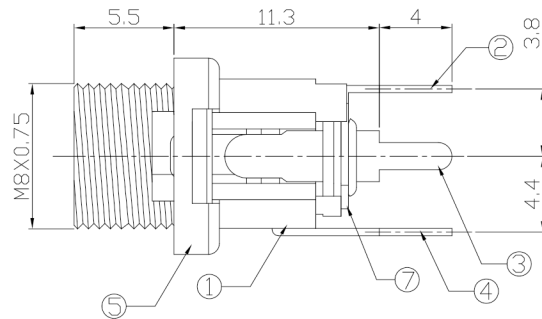
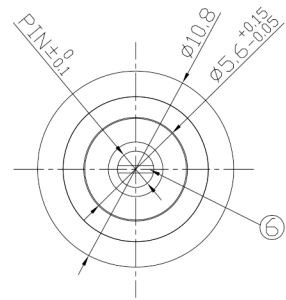




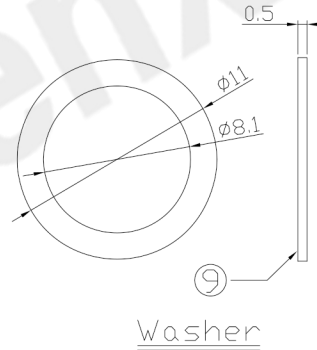
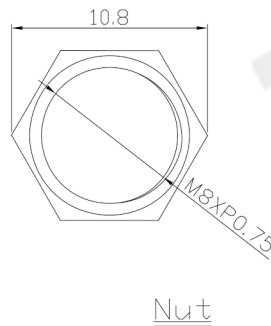
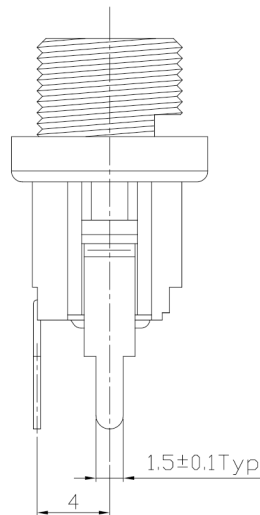
RoHS
Compliant
2002/95/EC

REV.	ECN.	NO.	APPD.

DIMENSIONS



RECOMMENDED P.C.B. LAYOUT
UNSPECIFIED TOLERANCE:±0.05
(BOTTOM VIEW)



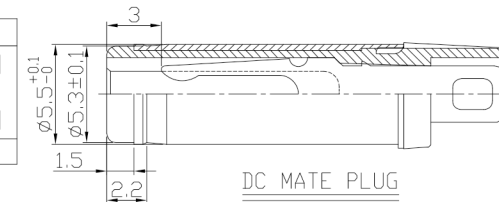
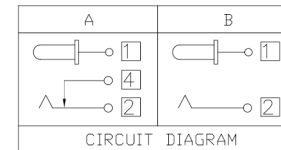
MODEL CODE:

DCB0-0026M- A □ PB BK C 0 4

- (1) (2) (3)(4) (5) (6) (7)(8) (9)
- (1):Series type:DIP DC POWER JACK.
- (2):Series No.
- (3):Schematic option: A , B
- (4):Center pin diameter:
H=ø2.0 , I=ø2.35 , J=ø2.5
- (5):Material of housing:
PB=PBT
- (6):Housing color:
BK=Black
- (7):Terminal plating
C=copper&tin alloy plating
- (8):Special option:
0=No special option
- (9):Packing mode:
4=Bag packing

SPECIFICATION:

- 1.Rating : DC 30V 0.5A;
- 2.Contact resistance: ≤30mΩ;
After test:≤50mΩ
- 3.Insulation resistance: ≥100MΩ (DC500V);
After test:≥50MΩ
- 4.Withstand voltage: 500VAC ;
- 5.Insertion and extraction force: 3-30N;
- 6.life test: 5,000 cycles;
- 7.Operation temperature range:-20°C~70°C;
- 8.Preservative temperature range:-40°C~85°C;



Model No.	H	I	J
CENTER PIN	ø2.0	ø2.35	ø2.5

○: ITEM NO. □: TERMINAL NO.

NO.	PARTS	MATERIAL	Q'TY	FINISHING
9	Washer-2	Spcc	1	Nickel plating
8	Nut	Copper alloy	1	Nickel plating
7	Washer-1	Bakelite	2	
6	Pin	Copper alloy	1	Nickel plating
5	Bushing	Copper alloy	1	Nickel plating
4	Shunt Terminal 4	Brass	1	Copper&tin plating
3	Tip Spring 2	Phosphor bronze	1	Copper&tin plating
2	Center pin terminal 1	Brass	1	Copper&tin plating
1	Housing	PBT	1	Black

THESE DRAWINGS AND SPECIFICATIONS ARE THE PROPERTY OF ACCURATE INNOVATECH INC AND SHALL NOT BE REPRODUCED, COPIED OR USED IN ANY MANNER WITHOUT THE PRIOR WRITTEN CONSENT OF ACCURATE INNOVATECH INC.

TOLERANCE	±0.3	ANGLES	±2°	UNITS	mm	东莞市腾兴电子有限公司	
FINISH	SEE NOTE	Q'TY	SEE NOTE	TITLE: DIP DC POWER JACK			PART NO.: DCB0-0026M
DR: Ricky 2019/04/10		CHKD: Ricky 2019/04/10		DWG NO.: AB0-0026M			
APPD:		SCALE	1:1	SHEET	1/1		REV. A