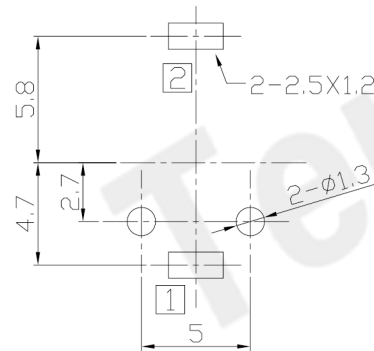
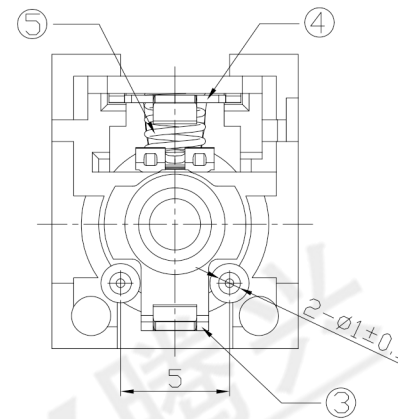
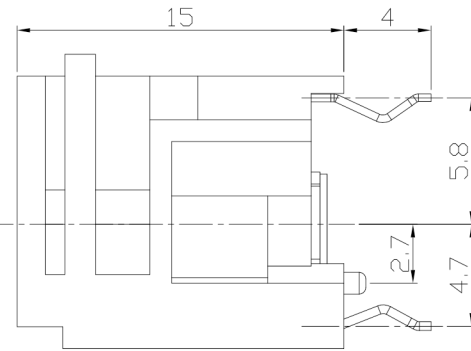
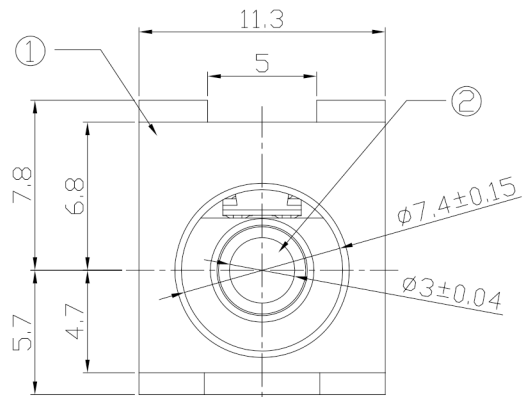




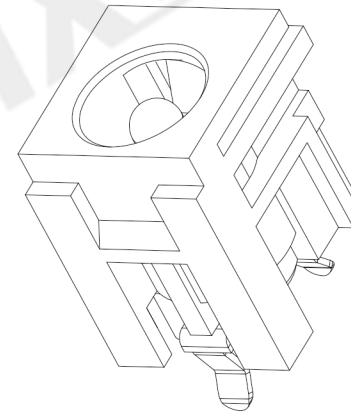
RoHS Compliant
2002/95/EC

REV.	ECN.	NO.	APPD.

DIMENSIONS



P.C.B Layout
(Copper-sided view)



MODEL CODE:

DCB0-00240- B K PB BK C 0 4

(1) (2) (3)(4) (5) (6) (7)(8) (9)

(1):Series type:DIP DC POWER JACK.

(2):Series No.

(3):Schematic option: B

(4):Center pin diameter:
K= $\phi 3.0$

(5):Material of housing:
PB=PBT (Standard)

(6):Housing color:
BK=Black (Standard)

(7):Terminal plating
C=Copper&tin(Standard)
S=Silver(Ag)
T=Tin(Sn)

(8):Special option:
0=No special option

(9):Packing mode:
4=Bag packing

SPECIFICATION:

1.Rating : DC 20V 4A;

2.Contact resistance: $\leq 30m\Omega$;

3.Insulation resistance: $\geq 100M\Omega$ (DC250V);

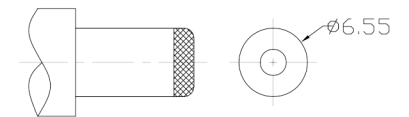
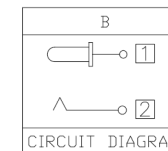
4.Withstand voltage: 500VAC ;

5.Insertion and extraction force: 3-30N;

6.life test: 5,000 cycles;

7.Operation temperature range:-20°C~70°C;

8.Preservative temperature range:-40°C~85°C;



DC MATE PLUG

○: ITEM NO. □: TERMINAL NO.

NO.	PARTS	MATERIAL	Q'TY	FINISHING	TOLERANCE	ANGLES	UNITS	mm
④	Spring	Spring steel	1	Nickel-Plating	±0.3	±2°	MAT'L	
④	Tip spring	Phosphor bronze	1	CuSn-Plating			SEE NOTE	
③	Center pin contact	Brass	1	CuSn-Plating			FINISH	
②	Center pin	Copper alloy	1	Nickel-Plating			SEE NOTE	
①	Housing	PBT	1				Q'TY	

THESE DRAWINGS AND SPECIFICATIONS ARE THE PROPERTY OF ACCURATE INNO TECH INC AND SHALL NOT BE REPRODUCED, COPIED OR USED IN ANY MANNER WITHOUT THE PRIOR WRITTEN CONSENT OF ACCURATE INNO TECH INC.

东莞市腾兴电子有限公司			
TITLE: DIP DC POWER JACK		PART NO.: DCB0-00240	
DR: Ricky 2019/04/10		DWG NO.: AB0-00240	
CHKD: Ricky 2019/04/10		SCALE	SHEET
APPD:		1:1	1/1
		REV.	CUSTOMER DRAWING
		A	