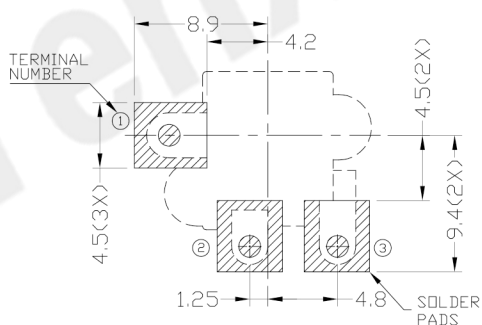
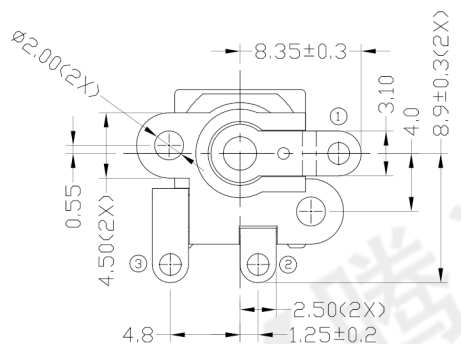
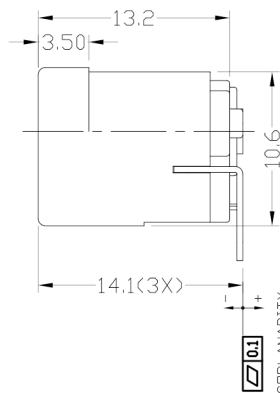
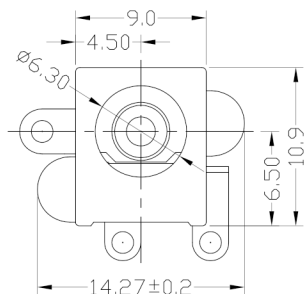




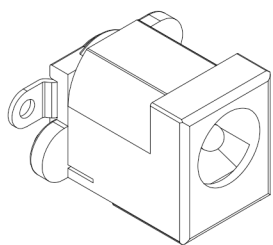
RoHS  
Compliant  
2002/95/EC

Halogen Free

DIMENSIONS



RECOMMENDED P.C.B. LAYOUT  
TOLERANCE:±0.05  
(TOP VIEW)



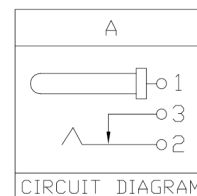
MODEL CODE:

DCT0-034DH2- A □ 10 BK S 0 1

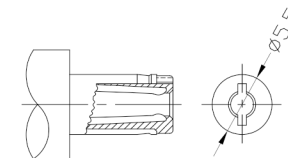
- (1):Series type:SMD DC POWER JACK.
- (2):Series No.
- (3):Schematic option: A
- (4):Center pin diameter:  
H=φ2.0mm,J=φ2.5mm
- (5):Material of housing:  
10=PA10T
- (6):Housing color:  
BK=Black
- (7):Terminal plating:  
S=Silver(Ag)
- (8):Special option:  
0=No special option
- (9):Packing mode:  
1=Reel packing

Specification:

- 1.Rating : 5A/16V DC Max.
- 2.Contact resistance: ≤30mΩ  
After test:≤60mΩ
- 3.Insulation resistance: ≥100MΩ (DC500V).  
After test:≥50MΩ
- 4.Withstanding voltage: 500VAC.
- 5.Insertion and extraction force: 0.3~3Kgs.
- 6.Life test: 5,000cycles min.
- 7.Operation temperature range:-25℃~85℃.



MODEL NO.	H	J
CENTER PIN	φ2.0mm	φ2.5mm

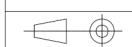


DC MATE PLUG

Bill of materials:

NO.	PARTS	MATERIAL	Q'TY	FINISHING	TOLERANCE	ANGLES	UNITS
6	CENTER PIN	COPPER	1	NICKEL PLATED	±0.3	±2°	mm
5	TERMINAL 1	BRASS	1	SILVER PLATED			MAT'L
4	TERMINAL 2	COPPER ALLOY	1	SILVER PLATED			SEE NOTE
3	TERMINAL 3	BRASS	1	SILVER PLATED			FINISH
2	HOUSING	PA10T	1	UL94V-0			SEE NOTE
1	COVER	PA10T	1	UL94V-0			Q'TY

THESE DRAWINGS AND SPECIFICATIONS ARE THE PROPERTY OF ACCURATE INNOVATECH INC AND SHALL NOT BE REPRODUCED, COPIED OR USED IN ANY MANNER WITHOUT THE PRIOR WRITTEN CONSENT OF ACCURATE INNOVATECH INC.



东莞市腾兴电子有限公司

TITLE: SMD DC POWER JACK		PART NO.: DCT0-034DH2	
DR: Ricky 2018/10/01		DWG NO.: AT0-034DH2	
CHKD: Ricky 2018/10/01		SCALE	SHEET
APPD:		1:1	1/1
		REV.	CUSTOMER DRAWING
		A	