

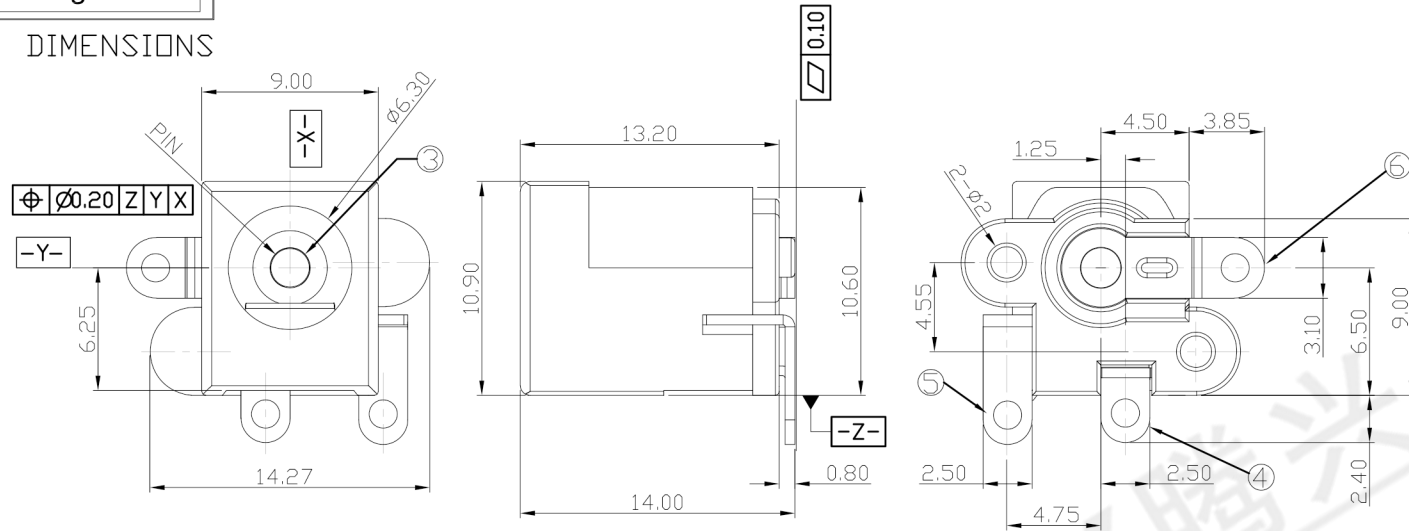


RoHS
Compliant
2002/95/EC

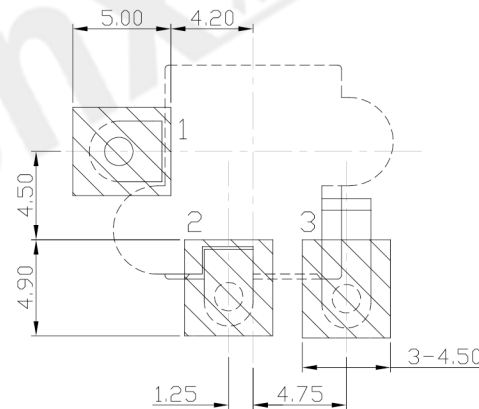
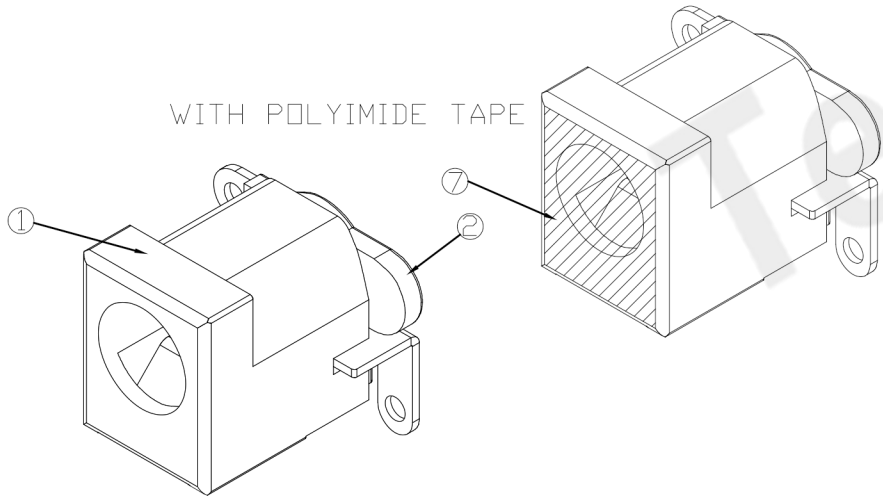
Halogen Free

REV.	ECN. NO.	APPD.

DIMENSIONS



WITH POLYIMIDE TAPE



RECOMMENDED PCB LAYOUT <TOP VIEW>

NOTE : TOLERANCE FOR PCB LAYOUT IS ± 0.05

MODEL CODE:

DCS0-0240E- A □ LC BK S 0 1

(1) (2) (3)(4)(5) (6) (7)(8) (9)

(1):Series type:SMD DC POWER JACK.

(2):Series No.

(3):Schematic option: A

(4):Center pin diameter:

E= $\phi 1.3$, H= $\phi 2.0$, J= $\phi 2.5$

(5):Material of housing:

LC=LCP

(6):Housing color:

BK=Black

(7):Terminal plating

S=Silver(Ag)

(8):Special option:

0=No special option

(9):Packing mode:

1=Reel packing

Specification:

1.Rating :DC 20V 3A.

2.Contact resistance : $\leq 30m\Omega$

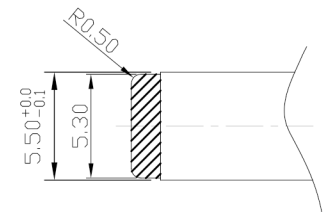
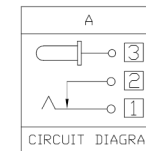
3.Insulation resistance : $\geq 100M\Omega$ (DC500V).

4.Withstanding voltage: 500VAC .

5.Insertion and extraction force: 3~30N.

6.life test: 5000cycles min.

7.Operation temperature range: $-25^{\circ}C \sim 85^{\circ}C$



DC MATE PLUG

Model No.	E	H	J
CENTER PIN	$\phi 1.3$	$\phi 2.0$	$\phi 2.5$

Bill of materials:

NO.	PARTS	MATERIAL	Q'TY	FINISHING	TOLERANCE	ANGLES	UNITS	mm
⑦	POLYIMIDE TAPE		1		.X ± 0.3	X°, $\pm 5^{\circ}$	MAT'L	
⑥	PIN TERMINAL	BRASS	1	Ag	.XX ± 0.2	.X° $\pm 3^{\circ}$	SEE NOTE	
⑤	SHUNT TERMINAL	BRASS	1	Ag				
④	SPRING TERMINAL	PBS	1	Ag			FINISH	
③	CENTER PIN	COPPER	1	NI			SEE NOTE	
②	BOTTOM COVER	PA10T	1	BLACK			Q'TY	
①	P1 HOUSING	LCP	1	UL94V-0 BLACK				

THESE DRAWINGS AND SPECIFICATIONS ARE THE PROPERTY OF ACCURATE INNO TECH INC AND SHALL NOT BE REPRODUCED, COPIED OR USED IN ANY MANNER WITHOUT THE PRIOR WRITTEN CONSENT OF ACCURATE INNO TECH INC.

东莞市腾兴电子有限公司

TITLE:	SMD DC POWER JACK	PART NO.:	DCS0-0240E
DR:	Ricky 2019/03/22	DWG NO.:	ASS-0240E
CHKD:	Ricky 2019/03/22	SCALE	1:1
APPD:		SHEET	1/1
		REV.	A
		CUSTOMER DRAWING	