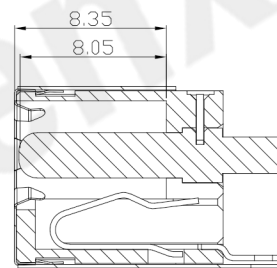
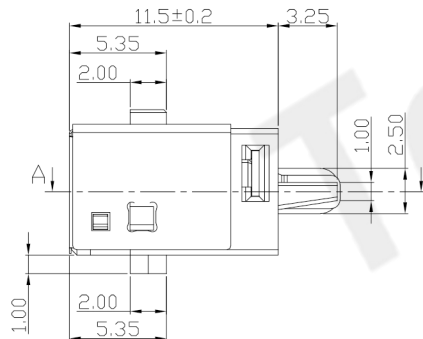
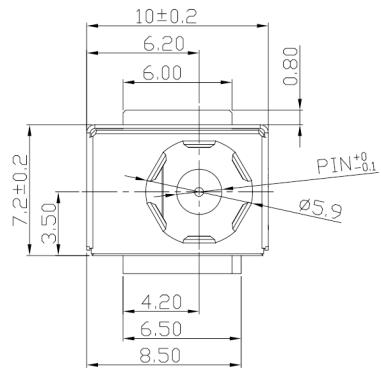
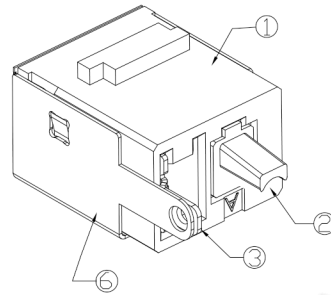
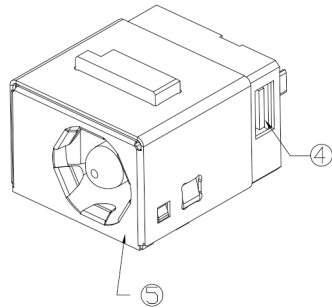
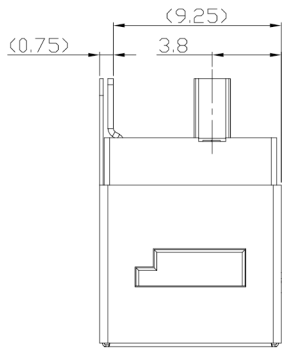




**RoHS Compliant**  
2002/95/EC

### DIMENSIONS



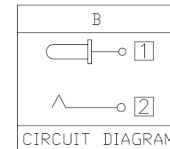
SECTION A-A

### MODEL CODE:

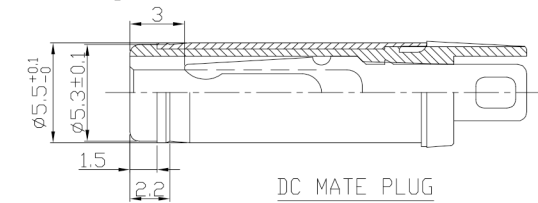
- DCB0-0167A- B □ PB BK S 0 4  
 (1) (2) (3)(4) (5) (6) (7)(8) (9)  
 (1):Series type:DC POWER JACK.  
 (2):Series No.  
 (3):Schematic option: B  
 (4):Center pin diameter:  
 G=φ1.65, H=φ2.0, J=φ2.5  
 (5):Material of housing:  
 10=PA10T, PB=PBT  
 (6):Housing color:  
 BK=Black  
 (7):Terminal plating  
 S=Silver(Ag)  
 (8):Special option:  
 0= Ni Plating for Center Pin(RoHS)  
 1= CuSn Plating for Center Pin(RoHS)  
 H= Ni Plating for Center Pin,Housing is Halogen Free  
 F= CuSn Plating for Center Pin,Housing is Halogen Free  
 (9):Packing mode:  
 4=Bag packing

### SPECIFICATION:

- Rating : DC 20V 5A;
- Contact resistance: ≤30mΩ;  
After test:≤50mΩ
- Insulation resistance: ≥100MΩ (DC500V);  
After test:≥50MΩ
- Withstand voltage: 500VAC;
- Insertion and extraction force: 3-30N;
- life test: 5,000 cycles;
- Operation temperature range:-20°C~70°C;
- Preservative temperature range:-40°C~85°C;



Model No.	G	H	J
CENTER PIN	φ1.65	φ2.0	φ2.5



DC MATE PLUG

○: ITEM NO. □: TERMINAL NO.

NO.	PARTS	MATERIAL	Q'TY	FINISHING
⑥	Ground Terminal	Stainless steel	1	Nickel plating
⑤	Shield plate	Stainless steel	1	
④	Peg	Copper Alloy	1	Tin plating
③	Tip spring ②	Copper Alloy	1	Silver plating
②	Center pin ①	Zinc Alloy	1	Ni/CuSn Plating
①	Housing	Thermoplastic	1	Black

THESE DRAWINGS AND SPECIFICATIONS ARE THE PROPERTY OF ACCURATE INNOVATECH INC AND SHALL NOT BE REPRODUCED, COPIED OR USED IN ANY MANNER WITHOUT THE PRIOR WRITTEN CONSENT OF ACCURATE INNOVATECH INC.

TOLERANCE	ANGLES	UNITS	mm
.X ±0.50	X ±5°	MAT'L	
.XX ±0.30	.X ±3°	SEE NOTE	
.XXX ±0.15	.XX ±2°	FINISH	
		SEE NOTE	
		Q'TY	

<b>东莞市腾兴电子有限公司</b>			
TITLE: DC POWER JACK		PART NO.: DCB0-0167A	
DR: Ricky 2019/05/06		DWG NO.: AB0-0167A	
CHKD: Ricky 2019/05/06		SCALE	SHEET
APPD:		1:1	1/1
		REV.	CUSTOMER DRAWING
		A	