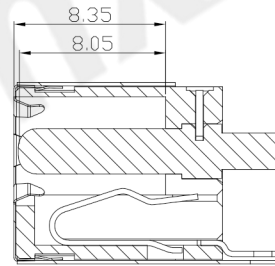
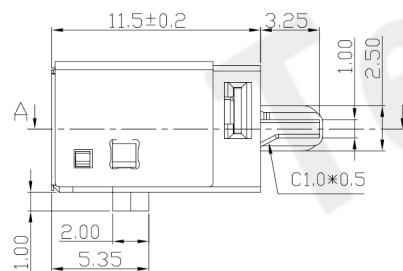
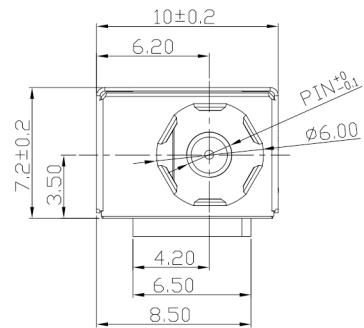
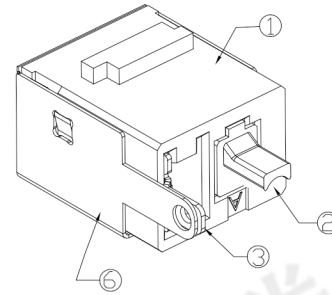
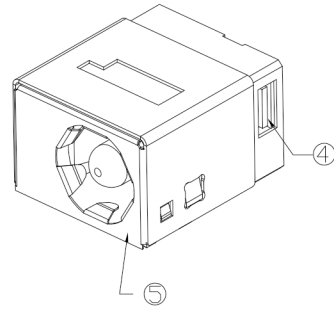
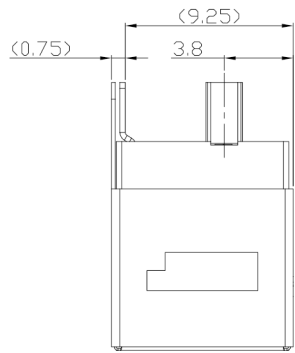




RoHS
Compliant
2002/95/EC

REV.	ECN.	NO.	APPD.

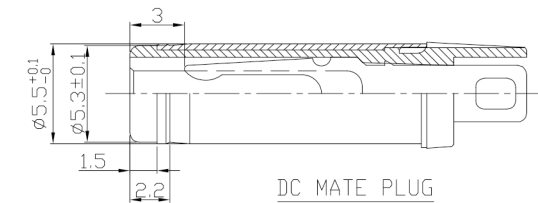
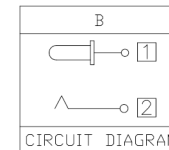
DIMENSIONS



SECTION:A-A

MODEL CODE:
 DCB0-0167B- B □ PB BK S 0 4
 (1) (2) (3)(4) (5) (6) (7)(8) (9)
 (1):Series type:DC POWER JACK.
 (2):Series No.
 (3):Schematic option: B
 (4):Center pin diameter:
 G=Ø1.65 , H=Ø2.0 , J=Ø2.5
 (5):Material of housing:
 10=PA10T , PB=PBT
 (6):Housing color:
 BK=Black
 (7):Terminal plating
 S=Silver(Ag)
 (8):Special option:
 0= Ni Plating for Center Pin(RoHS)
 1= CuSn Plating for Center Pin(RoHS)
 (9):Packing mode:
 4=Bag packing

SPECIFICATION:
 1.Rating : DC 20V 5A;
 2.Contact resistance: ≤30mΩ;
 After test:≤50mΩ
 3.Insulation resistance: ≥100MΩ (DC500V);
 After test:≥50MΩ
 4.Withstand voltage: 500VAC;
 5.Insertion and extraction force: 3-30N;
 6.life test: 5,000 cycles;
 7.Operation temperature range:-20°C~70°C;
 8.Preservative temperature range:-40°C~85°C;



Model No.	G	H	J
CENTER PIN	Ø1.65	Ø2.0	Ø2.5

○: ITEM NO. □: TERMINAL NO.

NO.	PARTS	MATERIAL	Q'TY	FINISHING
⑥	Ground Terminal	Stainless steel	1	Nickel plating
⑤	Shield plate	Stainless steel	1	
④	Peg	Copper Alloy	1	Tin plating
③	Tip spring 2	Copper Alloy	1	Silver plating
②	Center pin 1	Zinc Alloy	1	Ni/CuSn Plating
①	Housing	Thermoplastic	1	Black

THESE DRAWINGS AND SPECIFICATIONS ARE THE PROPERTY OF ACCURATE INNOVATECH INC AND SHALL NOT BE REPRODUCED, COPIED OR USED IN ANY MANNER WITHOUT THE PRIOR WRITTEN CONSENT OF ACCURATE INNOVATECH INC.

UNITS	mm
MAT'L	SEE NOTE
FINISH	SEE NOTE
Q'TY	

东莞市腾兴电子有限公司			
TITLE: DC POWER JACK		PART NO.: DCB0-0167B	
DR: Ricky 2019/05/06		DWG NO.: AB0-0167B	
CHKD: Ricky 2019/05/06		SCALE	SHEET
APPD:		1:1	1/1
		REV. A	CUSTOMER DRAWING