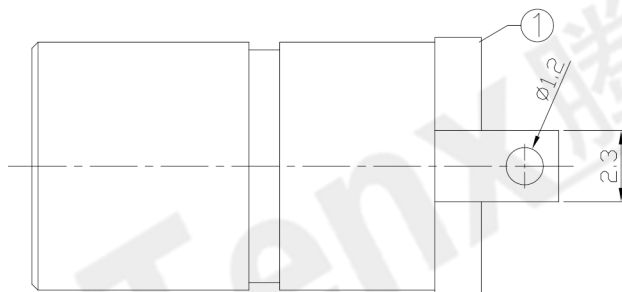
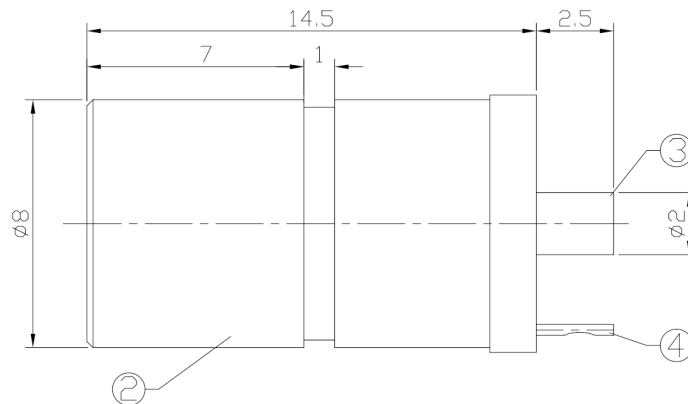
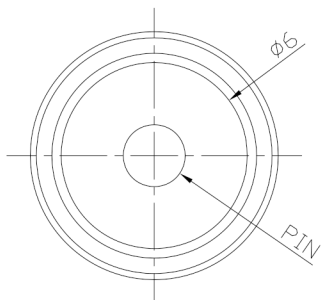




RoHS
Compliant
2002/95/EC

REV.	ECN.	NO.	APPD.

DIMENSIONS



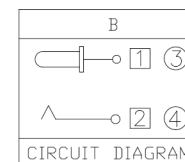
MODEL CODE:

DCB0-00840- B □ 66 BK I 0 4

- (1): Series type: DC POWER JACK.
- (2): Series No.
- (3): Schematic option: B
- (4): Center pin diameter:
H=2.0, I=2.35, J=2.5
- (5): Material of housing:
66=PA66 (Only)
- (6): Housing color:
BK=Black (Only)
- (7): Terminal plating
T=Tin(Sn) (Standard)
S=Silver(Ag)
G=Gold(Au)
- (8): Special option:
0=No special option
- (9): Packing mode:
4=Bag packing

SPECIFICATION:

- 1. Rating : DC 20V 3A;
- 2. Contact resistance: $\leq 50m\Omega$;
- 3. Insulation resistance: $\geq 100M\Omega$ (DC250V);
- 4. Withstand voltage: 500VAC ;
- 5. Insertion and extraction force: 3-30N;
- 6. Life test: 5,000 cycles;
- 7. Operation temperature range: $-20^{\circ}C \sim 70^{\circ}C$;
- 8. Preservative temperature range: $-40^{\circ}C \sim 85^{\circ}C$;



Model No.	H	I	J
CENTER PIN	$\phi 2.0$	$\phi 2.35$	$\phi 2.5$

○: ITEM NO. □: TERMINAL NO.

					TOLERANCE	ANGLES	UNITS	东莞市腾兴电子有限公司 TITLE: DC POWER JACK PART NO.: DCB0-00840 DR: Ricky 2019/05/02 DWG NO.: AB0-00840 CHKD: Ricky 2019/05/02 APPD:				
					±0.3	±2°	mm					
④	spring	Stainless steel	1	Sn-Plating	THESE DRAWINGS AND SPECIFICATIONS ARE THE PROPERTY OF ACCURATE INNO TECH INC AND SHALL NOT BE REPRODUCED, COPIED OR USED IN ANY MANNER WITHOUT THE PRIOR WRITTEN CONSENT OF ACCURATE INNO TECH INC.			FINISH	SCALE	SHEET	REV.	CUSTOMER
③	Center pin	Brass	1	Sn-Plating				SEE NOTE	1:1	1/1	A	DRAWING
②	Bushing	Brass	1	Ni-Plating				SEE NOTE				
①	Housing	PA66	1									
NO.	PARTS	MATERIAL	Q'TY	FINISHING								