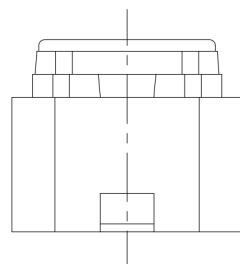
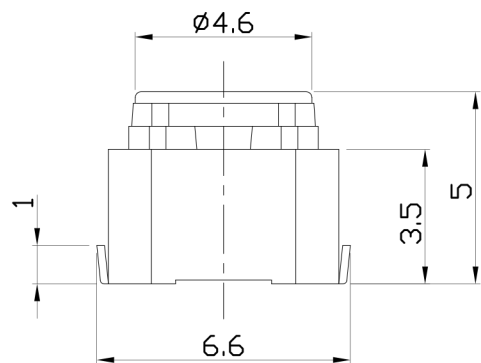




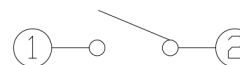
RoHS
Compliant
2002/95/EC

REV.	ECN. NO.	APPD.

DIMENSIONS



CIRCUIT DIAGRAM

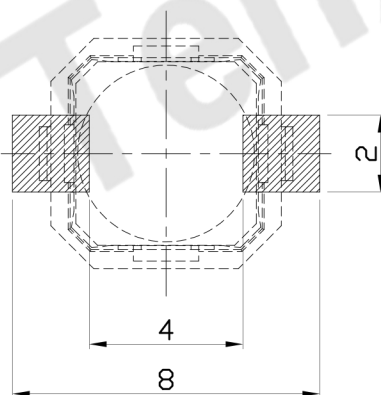
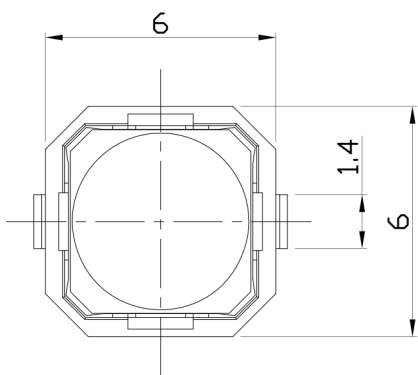


PRODUCT IMAGE



P.C.B MOUNTING PATTERN DIMENSION

The following soldering patterns are recommended for reflow soldering



ELECTRO-MECHANICAL CHARACTERISTICS

Refer to additional specifications

Rating	DC 12V 0.1A
Contact Resistance	100mΩ Max.
Insulation Resistance	100MΩ(DC 500V / 1 min) Min.
Withstanding Voltage	250 VAC / min.
Travel	1.3 ± 0.3mm
Operating Force	250±70gf
Operating Life(cycles)	100,000

.X ±0.3	X. ±2'	UNITS mm
		MAT'L SEE NOTE
		FINISH SEE NOTE
		Q'TY
<small>THESE DRAWINGS AND SPECIFICATIONS ARE THE PROPERTY OF ACCURATE INNOVATECH INC AND SHALL NOT BE REPRODUCED, COPIED OR USED IN ANY MANNER WITHOUT THE PRIOR WRITTEN CONSENT OF ACCURATE INNOVATECH INC.</small>		

东莞市腾兴电子有限公司

TITLE: TACT SWITCH Soft feeling		PART NO.: AT-1190 SERIES	
DR: Ricky 2014/04/01		DWG NO.: ASI-1190	
CHKD: Ricky 2014/04/01		SCALE 1:1	SHEET 1/1
APPD:		REV. A	CUSTOMER DRAWING