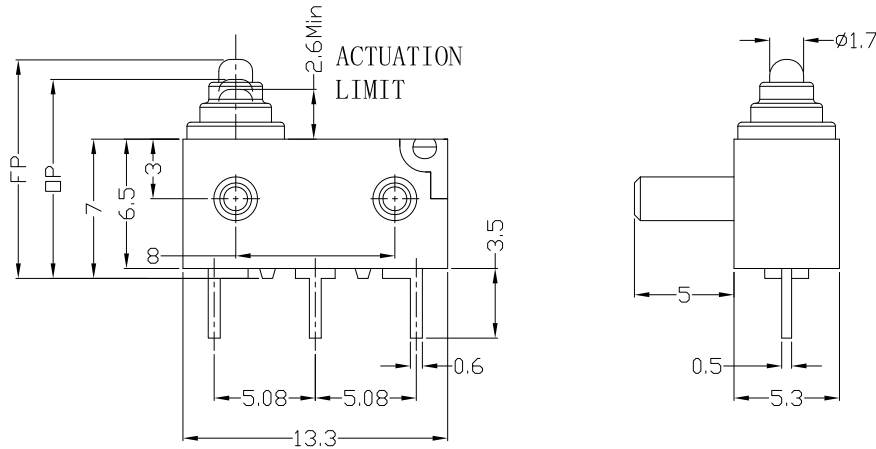




RoHS  
Compliant  
2002/95/EC

REV.	ECN.	NO.	APPD.

## DIMENSIONS

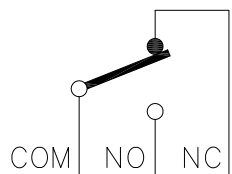


## MODEL CODE

SW 3 - CL 00 X - XX - C3

1 2 3 4 5 6 7

- Series : SW
- Current Rating : 3=3A 125/250VAC ;  
2A/1A 12VDC/24VDC
- Case type : CL
- Actuator : 00=Non-lever 01-99=Lever
- Termination : see chart (P/N/B)
- Operating Force : see chart
- Contact type : C3=3Amps Contact



CIRCUIT DIAGRAM

## 1.Functional spec

1.1 Rated Voltage(AC)	125/250VAC
1.2 Rated Current(AC)	3A
1.3 Rated Voltage(DC)	12VDC/24VDC
1.4 Rated Current(DC)	2A/1A
1.5 Contact Resistance	≤100mΩ(Initial value)
1.6 Operating Force	70±30gf
1.7 Free Position	11.5mm Max
1.8 Operating Position	10.5±0.3mm

## 2.Reliable Rating

2.1 Mechanical Life	1,000,000 CYCLES
2.2 Electrical Life	10,000 CYCLES
2.3 Insulation Resistance	≥100MΩ DC500V(Initial value)
2.4 Withstand Voltage	AC600V 1 minute(Initial value)
2.5 Soldering Technic	Hand Soldering
2.6 Operating Temper	-25°C ~ +85°C
2.7 Ambient Humidity Used	<85%RH

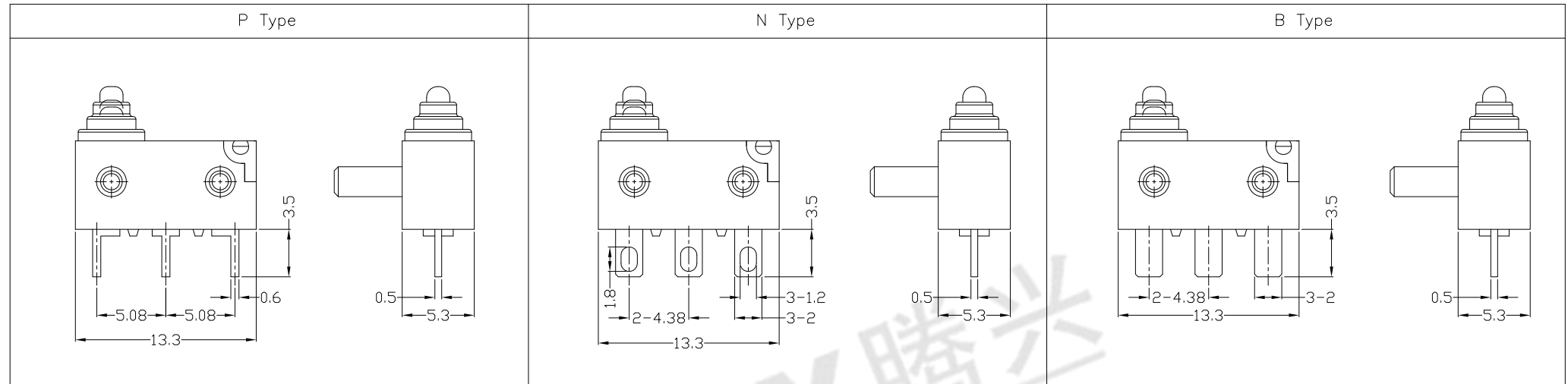
Tolerance:±0.2		UNITS	东莞市腾兴电子有限公司			
		mm				
		MAT'L	SEE NOTE		PART NO.:	
		FINISH	SEE NOTE		TITLE:	
		Q'TY	SEE NOTE		MICRO SWITCH Waterproof SW3 SERIES	
THESE DRAWINGS AND SPECIFICATIONS ARE THE PROPERTY OF ACCURATE INNOTECH INC AND SHALL NOT BE REPRODUCED, COPIED OR USED IN ANY MANNER WITHOUT THE PRIOR WRITTEN CONSENT OF ACCURATE INNOTECH INC.			DR: <i>Ricky</i> 2017/3/22		DWG NO.:	
			CHKD: <i>Ricky</i> 2017/3/22		ATD-CL00X-XX-C3	
APPD:			SCALE	SHEET	REV.	CUSTOMER DRAWING
			1:1	1/2	A	



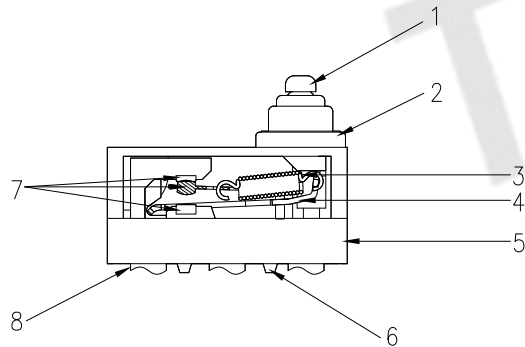
RoHS  
Compliant  
2002/95/EC

REV.	ECN.	NO.	APPD.

### Terminal Type



### Structure chart



### Material list

NO.	PARTS	MATERIAL	Q'TY	FINISHING	UNITS	mm	东莞市腾兴电子有限公司					
8	Terminal	C2680	3		Tolerance:±0.2	mm	SEE NOTE	TITLE:	PART NO.:			
7	Contact	Silver alloy	3					MICRO SWITCH Waterproof SW3 SERIES	SW3-CL00X-XX-C3			
6	Base	Nylon	1		SEE NOTE	FINISH	SEE NOTE	DR:	DWG NO.:			
5	Upper Housing	PBT	1					2017/3/22	ATD-CL00X-XX-C3			
4	Fixed Rod	SUS	1		Q'TY	FINISH	SEE NOTE	CHKD:	SCALE	SHEET	REV.	CUSTOMER
3	Spring	SUS	1					2017/3/22	1:1	2/2	A	DRAWING
2	Cap	RUBBER	1		SEE NOTE	FINISH	SEE NOTE	APPD:				
1	Button	Nylon	1									

THESE DRAWINGS AND SPECIFICATIONS ARE THE PROPERTY OF ACCURATE INNOTECH INC AND SHALL NOT BE REPRODUCED, COPIED OR USED IN ANY MANNER WITHOUT THE PRIOR WRITTEN CONSENT OF ACCURATE INNOTECH INC.

