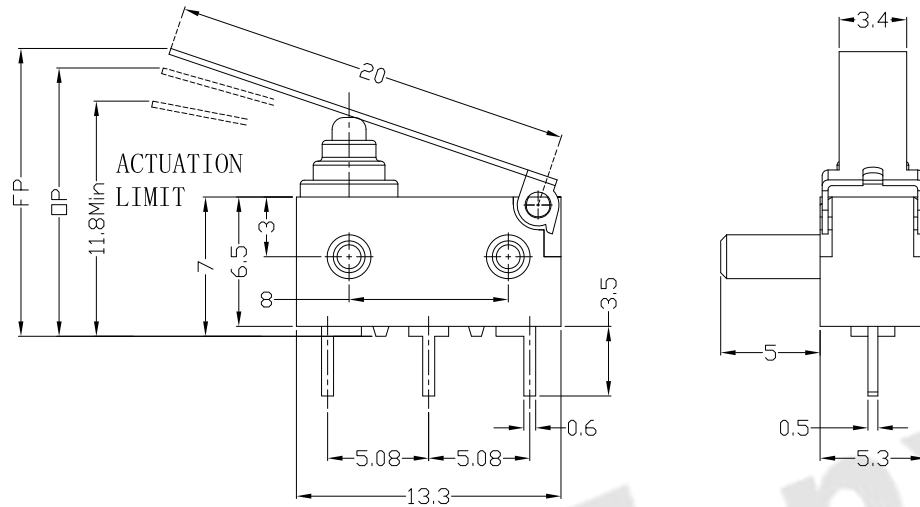




RoHS
Compliant
2002/95/EC

REV.	ECN.	NO.	APPD.

DIMENSIONS



1.Functional spec

1.1 Rated Voltage(AC)	125/250VAC
1.2 Rated Current(AC)	3A
1.3 Rated Voltage(DC)	12VDC/24VDC
1.4 Rated Current(DC)	2A/1A
1.5 Contact Resistance	≤100mΩ(Initial value)
1.6 Operating Force	50(70gf Max)
1.7 Free Position	15.0mm Max
1.8 Operating Position	13.4±0.8mm

2.Reliable Rating

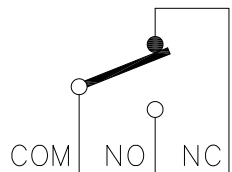
2.1 Mechanical Life	1,000,000 CYCLES
2.2 Electrical Life	10,000 CYCLES
2.3 Insulation Resistance	≥100MΩ DC500V(Initial value)
2.4 Withstand Voltage	AC600V 1 minute(Initial value)
2.5 Soldering Technic	Hand Soldering
2.6 Operating Temper	-25°C ~ +85°C
2.7 Ambient Humidity Used	<85%RH

MODEL CODE

SW 3 - CL 01 X - XX - C3

1 2 3 4 5 6 7

- Series : SW
- Current Rating : 3=3A 125/250VAC ;
2A/1A 12VDC/24VDC
- Case type : CL
- Actuator : 00=Non-lever 01-99=Lever
- Termination : see chart (P/N/B)
- Operating Force : see chart
- Contact type : C3=3Amps Contact



CIRCUIT DIAGRAM

Tolerance: ±0.2	UNITS	mm					
	MAT'L	SEE NOTE					
FINISH	SEE NOTE		TITLE:		PART NO.:		
	SEE NOTE		MICRO SWITCH Waterproof SW3 SERIES		SW3-CL01P-XX-C3		
Q'TY	SEE NOTE		DR: <i>Ricky</i> 2017/3/22		DWG NO.:		
	SEE NOTE		CHKD: <i>Ricky</i> 2017/3/22		ATD-CL01X-XX-C3		
<small>THESE DRAWINGS AND SPECIFICATIONS ARE THE PROPERTY OF ACCURATE INNOTECH INC AND SHALL NOT BE REPRODUCED, COPIED OR USED IN ANY MANNER WITHOUT THE PRIOR WRITTEN CONSENT OF ACCURATE INNOTECH INC.</small>			APPD:	SCALE	SHEET	REV.	CUSTOMER DRAWING
				1:1	1/2	A	

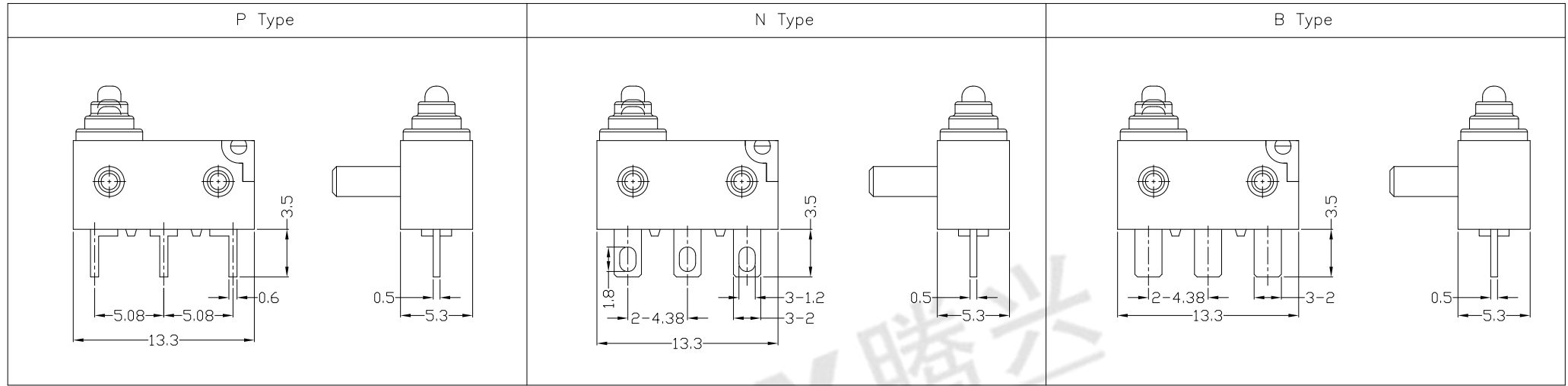
东莞市腾兴电子有限公司



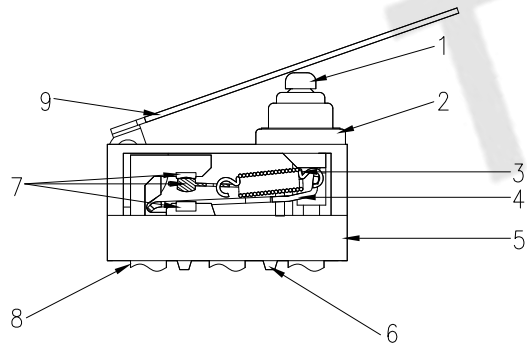
RoHS
Compliant
2002/95/EC

REV.	ECN.	NO.	APPD.

Terminal Type



Structure chart



Material list

NO.	PARTS	MATERIAL	Q'TY	FINISHING	UNITS	mm	东莞市腾兴电子有限公司					
9	Lever	SUS	1		Tolerance:±0.2	mm	SEE NOTE	TITLE:		PART NO.:		
8	Terminal	C2680	3					MICRO SWITCH Waterproof SW3 SERIES		SW3-CL01X-XX-C3		
7	Contact	Silver alloy	3					DR: Ricky 2017/3/22		DWG NO.:		
6	Base	Nylon	1		SEE NOTE	mm	FINISH	CHKD: Ricky 2017/3/22		ATD-CL01X-XX-C3		
5	Upper Housing	PBT	1					APPD:		SCALE	SHEET	REV.
4	Fixed Rod	SUS	1		Q'TY	mm	SEE NOTE	1:1	2/2	A	DRAWING	
3	Spring	SUS	1					THESE DRAWINGS AND SPECIFICATIONS ARE THE PROPERTY OF ACCURATE INNOTECH INC AND SHALL NOT BE REPRODUCED, COPIED OR USED IN ANY MANNER WITHOUT THE PRIOR WRITTEN CONSENT OF ACCURATE INNOTECH INC.				
2	Cap	RUBBER	1									
1	Button	Nylon	1									