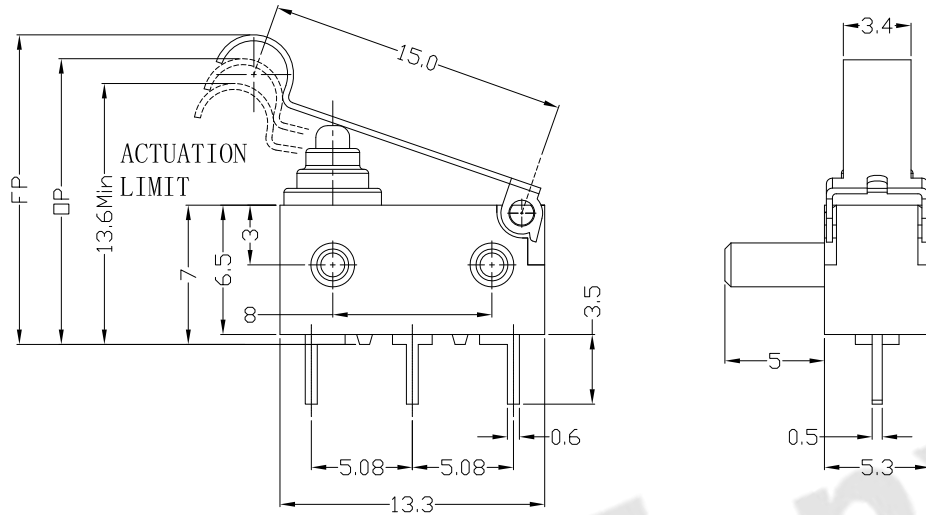




RoHS
Compliant
2002/95/EC

REV.	ECN.	NO.	APPD.

DIMENSIONS

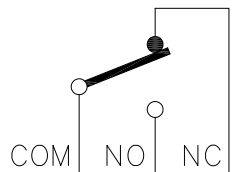


MODEL CODE

SW 3 - CL 02 X - XX - C3

1 2 3 4 5 6 7

- Series : SW
- Current Rating : 3=3A 125/250VAC ;
2A/1A 12VDC/24VDC
- Case type : CL
- Actuator : 00=Non-lever 01-99=Lever
- Termination : see chart (P/N/B)
- Operating Force : see chart
- Contact type : C3=3Amps Contact



CIRCUIT DIAGRAM

1.Functional spec

1.1 Rated Voltage(AC)	125/250VAC
1.2 Rated Current(AC)	3A
1.3 Rated Voltage(DC)	12VDC/24VDC
1.4 Rated Current(DC)	2A/1A
1.5 Contact Resistance	≤100mΩ(Initial value)
1.6 Operating Force	50(70gf Max)
1.7 Free Position	16.0mm Max
1.8 Operating Position	14.8±0.8mm

2.Reliable Rating

2.1 Mechanical Life	1,000,000 CYCLES
2.2 Electrical Life	10,000 CYCLES
2.3 Insulation Resistance	≥100MΩ DC500V(Initial value)
2.4 Withstand Voltage	AC600V 1 minute(Initial value)
2.5 Soldering Technic	Hand Soldering
2.6 Operating Temper	-25°C ~ +85°C
2.7 Ambient Humidity Used	<85%RH

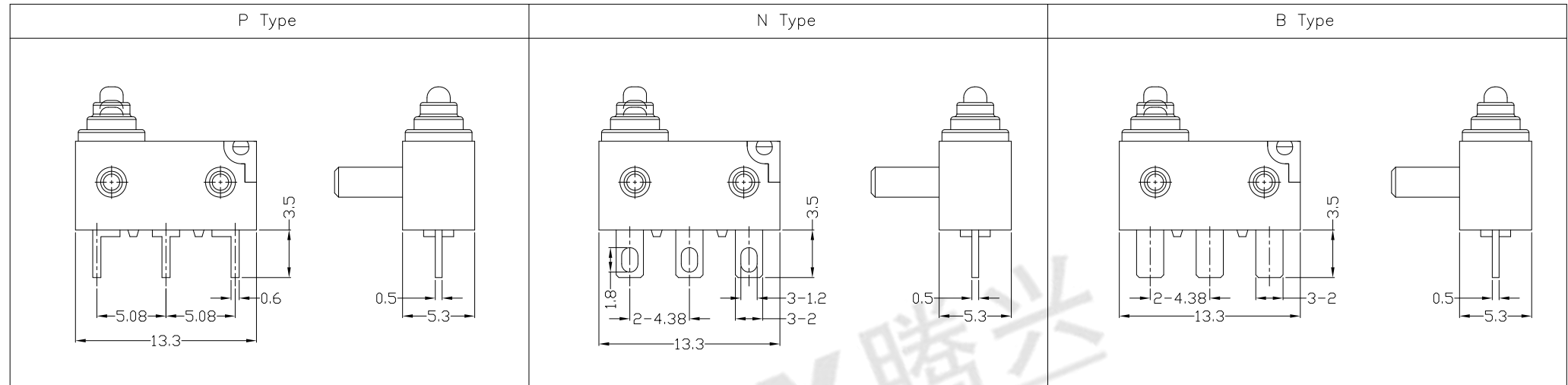
Tolerance:±0.2		UNITS	东莞市腾兴电子有限公司			
		mm				
		MAT'L	SEE NOTE		PART NO.:	
		FINISH	SEE NOTE		TITLE:	
		Q'TY	SEE NOTE		MICRO SWITCH Waterproof SW3 SERIES	
<small>THESE DRAWINGS AND SPECIFICATIONS ARE THE PROPERTY OF ACCURATE INNOTECH INC AND SHALL NOT BE REPRODUCED, COPIED OR USED IN ANY MANNER WITHOUT THE PRIOR WRITTEN CONSENT OF ACCURATE INNOTECH INC.</small>			DR: <i>Ricky</i> 2017/3/22		DWG NO.:	
			CHKD: <i>Ricky</i> 2017/3/22		ATD-CL02X-XX-C3	
APPD:			SCALE	SHEET	REV.	CUSTOMER DRAWING
			1:1	1/2	A	



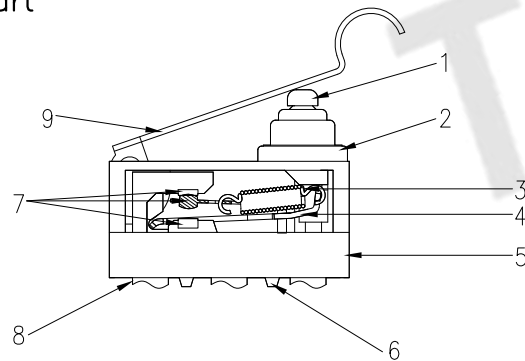
RoHS
Compliant
2002/95/EC

REV.	ECN.	NO.	APPD.

Terminal Type



Structure chart



Material list

NO.	PARTS	MATERIAL	Q'TY	FINISHING	UNITS	东莞市腾兴电子有限公司					
9	Lever	SUS	1		mm	SEE NOTE	TITLE:	PART NO.:			
8	Terminal	C2680	3				MAT'L	MICRO SWITCH Waterproof SW3 SERIES	SW3-CL02X-XX-C3		
7	Contact	Silver alloy	3				FINISH	DR: <i>Ricky</i> 2017/3/22	DWG NO.:		
6	Base	Nylon	1			SEE NOTE	CHKD: <i>Ricky</i> 2017/3/22	ATD-CL02X-XX-C3			
5	Upper Housing	PBT	1				APPD:	SCALE	SHEET	REV.	CUSTOMER
4	Fixed Rod	SUS	1					1:1	2/2	A	DRAWING
3	Spring	SUS	1								
2	Cap	RUBBER	1								
1	Button	Nylon	1								

THESE DRAWINGS AND SPECIFICATIONS ARE THE PROPERTY OF ACCURATE INNOVATECH INC AND SHALL NOT BE REPRODUCED, COPIED OR USED IN ANY MANNER WITHOUT THE PRIOR WRITTEN CONSENT OF ACCURATE INNOVATECH INC.

