

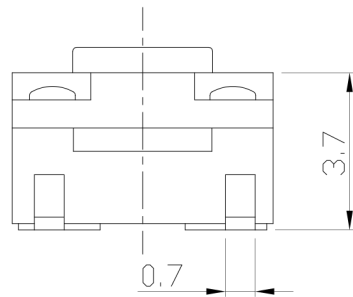
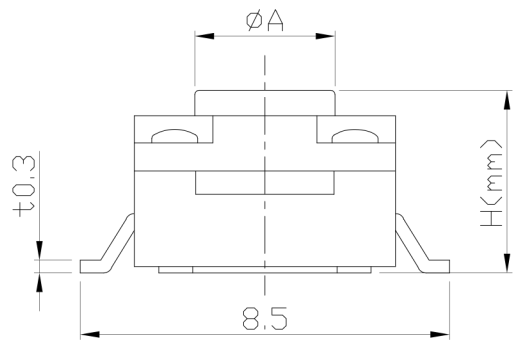


RoHS
Compliant
2002/95/EC

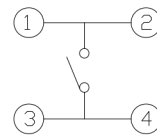


REV.	ECN.	NO.	APPD.

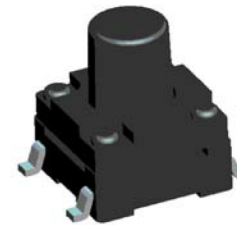
DIMENSIONS



CIRCUIT DIAGRAM



PRODUCT IMAGE



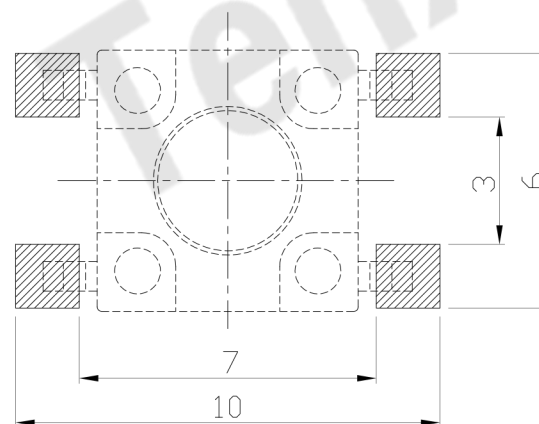
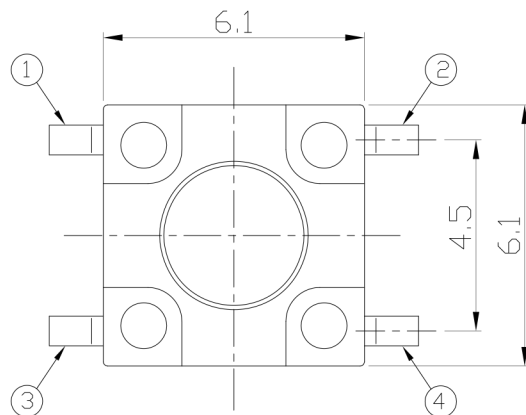
MODEL CODE

AT-1141W-

	H	ϕA
-	4.3	3.4
A	4.5	3.4
B	4.8	3.4
C	5.0	3.3
D	5.5	3.3
E	6.0	3.3
F	6.5	3.3
G	7.0	3.3
H	7.5	3.3
I	8.0	3.3
J	8.5	3.3
K	9.0	3.3
L	9.5	3.3

P.C.B MOUNTING PATTERN DIMENSION

The following soldering patterns are recommended for reflow soldering



ELECTRO-MECHANICAL CHARACTERISTICS

Refer to additional specifications

Rating	DC 12V 50mA
Contact Resistance	100m Ω Max.
Insulation Resistance	100M Ω (DC 500V / 1 min) Min.
Withstanding Voltage	250 VAC / min.
Travel	0.25 \pm 0.1mm
Operating Force	260 \pm 50gf
Operating Life(cycles)	100,000

.X \pm 0.3	X. \pm 2'	UNITS	mm
		MAT'L	SEE NOTE
		FINISH	SEE NOTE
		Q'TY	
<small>THESE DRAWINGS AND SPECIFICATIONS ARE THE PROPERTY OF ACCURATE INNOTECH INC AND SHALL NOT BE REPRODUCED, COPIED OR USED IN ANY MANNER WITHOUT THE PRIOR WRITTEN CONSENT OF ACCURATE INNOTECH INC.</small>			

东莞市腾兴电子有限公司

TITLE:	TACT SWITCH / waterproof	PART NO.:	AT-1141W SERIES		
DR:	Ricky 2017/04/06	DWG NO.:	ASI-1141W		
CHKD:	Ricky 2017/04/06	SCALE	SHEET	REV.	CUSTOMER DRAWING
APPD:		1:1	1/1	A	