

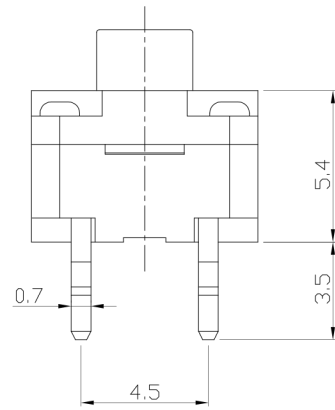
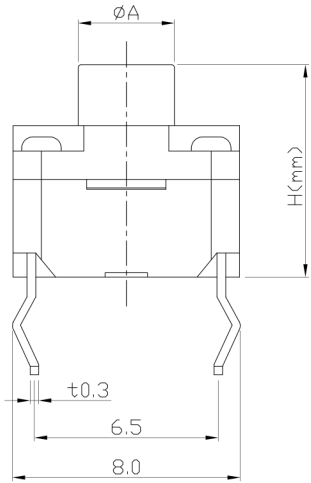


RoHS
Compliant
2002/95/EC

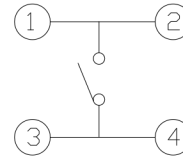


REV.	ECN.	NO.	APPD.

DIMENSIONS



CIRCUIT DIAGRAM



PRODUCT IMAGE



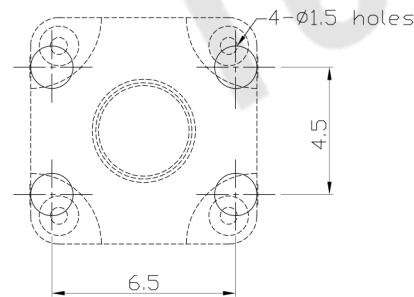
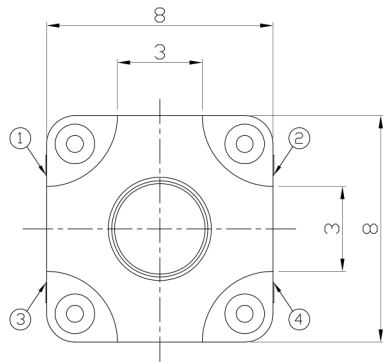
MODEL CODE

AT-1142-

	H	ØA
-	6.5	3.5
A	7.0	3.5
B	7.5	3.5
C	8.0	3.5
D	8.5	3.3
E	9.0	3.3
F	9.5	3.3
G	10.0	3.3
H	10.5	3.3
I	11.0	3.3
J	11.5	3.0
K	12.0	3.0
L	12.5	3.0
M	13.0	3.0
N	13.5	3.0
Q	14.0	3.0
P	14.5	3.0
Q	15.0	3.0
R	15.5	3.0
S	16.0	3.0
T	16.5	3.0
U	17.0	3.0

P.C.B MOUNTING PATTERN DIMENSION

The following soldering patterns are recommended for reflow soldering



ELECTRO-MECHANICAL CHARACTERISTICS

Refer to additional specifications

Rating	DC 12V 50mA
Contact Resistance	100mΩ Max.
Insulation Resistance	100MΩ(DC 500V / 1 min) Min.
Withstanding Voltage	250 VAC / min.
Travel	0.25 ± 0.1mm
Operating Force	250±50gf
Operating Life(cycles)	100,000

东莞市腾兴电子有限公司

.X ±0.3	X. ±2'	UNITS mm
		MAT'L SEE NOTE
		FINISH SEE NOTE
		Q'TY

THESE DRAWINGS AND SPECIFICATIONS ARE THE PROPERTY OF ACCURATE INNOTECH INC AND SHALL NOT BE REPRODUCED, COPIED OR USED IN ANY MANNER WITHOUT THE PRIOR WRITTEN CONSENT OF ACCURATE INNOTECH INC.



TITLE: TACT SWITCH / waterproof	PART NO.: AT-1142 SERIES
DR: <i>Ricky</i> 2017/03/23	DWG NO.: ASI-1142
CHKD: <i>Ricky</i> 2017/03/23	SCALE SHEET REV. CUSTOMER DRAWING
APPD:	1:1 1/1 A