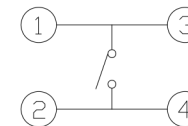
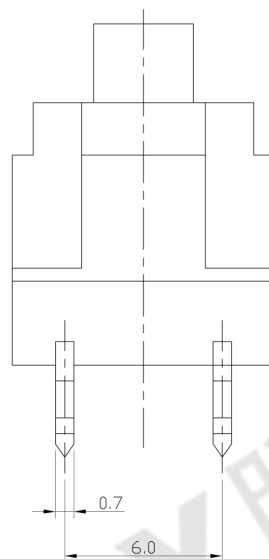
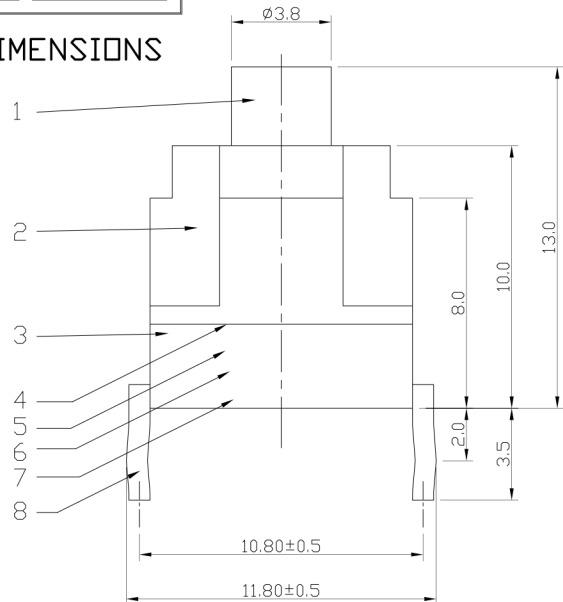




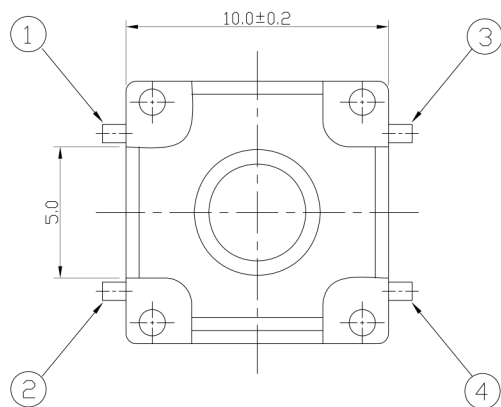
RoHS
Compliant
2002/95/EC

REV.	ECN. NO.	APPD.

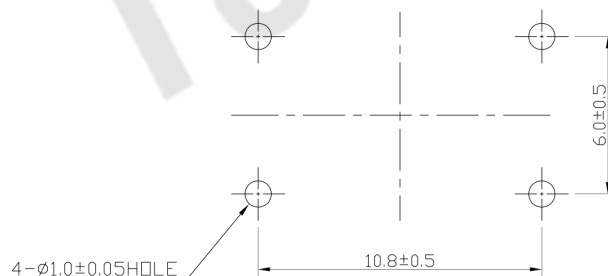
DIMENSIONS



CIRCUIT DIAGRAM



P.C.B MOUNTING PATTERN DIMENSION



ELECTRO-MECHANICAL CHARACTERISTICS

Refer to additional specifications

RATING	DC12V 50mA
CONTACT RESISTANCE	500mΩ MAX.
TRAVEL	0.3 ^{+0.2} _{-0.1} mm
OPERATING FORCE	160±50gf 250±70gf
OPERATING LIFE(cycles)	100,000

8	TERMINAL	C2680-EH	1		.X ±0.3	X. ±2'	UNITS	mm
7	CASE	NYLON66	1				MAT'L	
6	CONTACT	SUS 301	1				SEE NOTE	
5	STEM	NYLON46	1				FINISH	
4	CAPTON TAPE	TAPE	1				SEE NOTE	
3	RUBBER	NBR	1				Q'TY	
2	COVER	NYLON66	1					
1	KNOB	NYLON66	1					
NO.	PARTS	MATERIAL	Q'TY	FINISHING				

THESE DRAWINGS AND SPECIFICATIONS ARE THE PROPERTY OF ACCURATE INNOVATION INC AND SHALL NOT BE REPRODUCED, COPIED OR USED IN ANY MANNER WITHOUT THE PRIOR WRITTEN CONSENT OF ACCURATE INNOVATION INC.



东莞市腾兴电子有限公司

TITLE:	TACT SWITCH/waterproof	PART NO.:	AT-1147 SERIES
DR:	Ricky 2015/04/30	DWG NO.:	AKS-1147
CHKD:	Ricky 2015/04/30	SCALE	1:1
APPD:		SHEET	1/1
		REV.	A
		CUSTOMER DRAWING	