

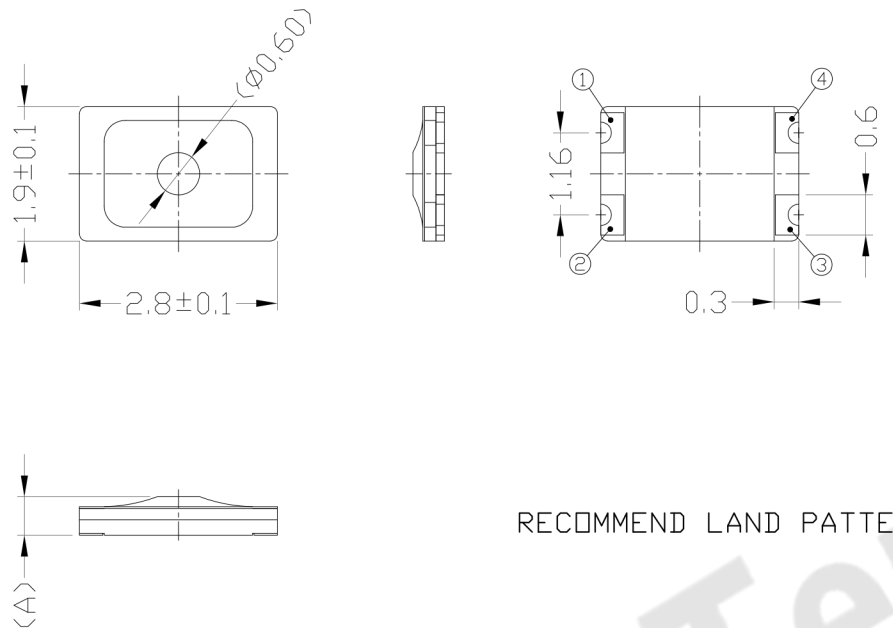


RoHS
Compliant
2002/95/EC

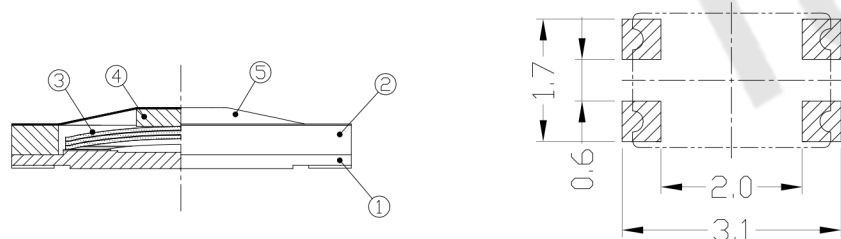


REV.	ECN.	NO.	APPD.

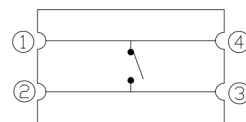
DIMENSIONS



RECOMMEND LAND PATTERN



CIRCUIT DIAGRAM



MODEL CODE

AT-2819-1-160G-Y

(A)	Height
1	0.55±0.1
2	0.60±0.1
3	0.65±0.1

See chart

	Cover film Color
B	Black
Y	Yellow

ELECTRO-MECHANICAL CHARACTERISTICS

Refer to additional specifications

Rating	DC 12V 50mA		
Contact Resistance	100mΩ Max.		
Travel	0.12±0.05mm		
Operating Force	100±30gf	120±30gf	160±30gf
	200±30gf	240±30gf	300±30gf
Operating Life(cycles)	100,000	100gf & 120gf	
	300,000	160gf & 200gf& 240gf& 300gf	

5	Cover film	Polyimide & Epoxy	1	
4	Actuator	Polyimide & Epoxy	1	
3	Metal dome	SUS301	1~3	Ag plating
2	Guide	Polyimide & Epoxy	1	
1	PCB	Cu PSR	1	Au+Ni plating
NO.	PARTS	METERIAL	Q'TY	FINISHING

General Tolerance		UNITS	mm
Dimension	mm (°)	MAT'L	
X	±0.2	SEE NOTE	
X.X	±0.1		
X.XX	±0.05		
X.XXX	±0.01	FINISH	
ANGLE	±1°	SEE NOTE	
THESE DRAWINGS AND SPECIFICATIONS ARE THE PROPERTY OF ACCURATE INNOVTECH INC AND SHALL NOT BE REPRODUCED, COPIED OR USED IN ANY MANNER WITHOUT THE PRIOR WRITTEN CONSENT OF ACCURATE INNOVTECH INC.		Q'TY	

东莞市腾兴电子有限公司			
TITLE: SMD DOME SWITCH		PART NO.: AT-2819 SERIES	
DR: Ricky 2019/04/09		DWG NO.: AKS-2819	
CHKD: Ricky 2019/04/09		SCALE	SHEET
APPD:		1:1	1/1
		REV.	CUSTOMER DRAWING
		A	