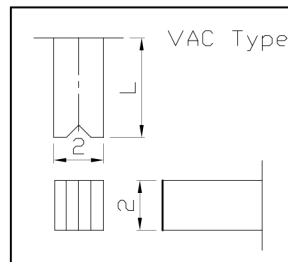
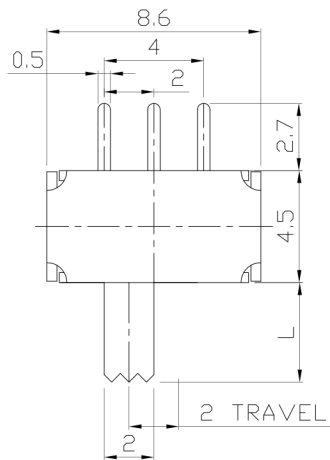




RoHS Compliant
2002/95/EC

REV.	ECN.	NO.	APPD.

DIMENSIONS

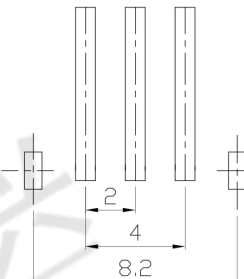


MODEL CODE

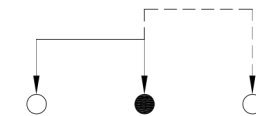
SK-12D18- GFB

Knob Type
GFB
VAC

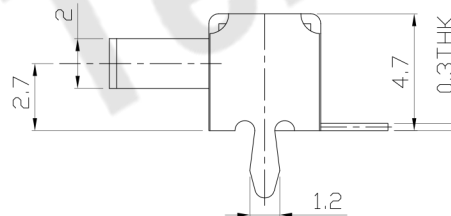
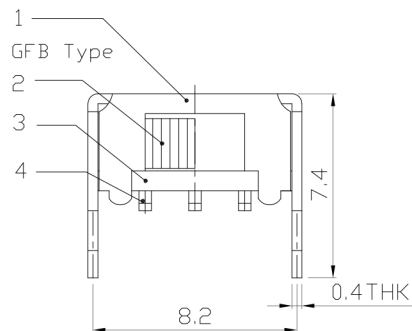
L(mm)
~



P.C.B LAYOUT
BOTTOM VIEW



CIRCUIT DIAGRAM



ELECTRO-MECHANICAL CHARACTERISTICS

Refer to additional specifications

RATING	0.3A 50V DC
CIRCUIT	1P2T
CONTACT RESISTANCE	100mΩ MAX.
TIMING	NON-SHORTING
TRAVEL	2mm
OPERATING FORCE	250±100gf
OPERATING LIFE(cycles)	10,000

8					WITHIN 1.5mm: ±0.1mm	UNITS	mm
7					OVER 1.5mm: ±0.2mm	MAT'L	
6	SPRING PLATE	SUS	1	Ag PLATED		SEE NOTE	
5	CONTACT CLIP	PBS STRIP	1	Ag PLATED			
4	TERMINAL	BRASS STRIP	3	Ag PLATED		FINISH	
3	BASE	PHENOLIC RESIN	1	NATURAL		SEE NOTE	
2	KNOB	PDM	1	BLACK		Q'TY	
1	FRAME	STEEL STRIP	1	Ni PLATED			
NO.	PARTS	MATERIAL	Q'TY	FINISHING			

THESE DRAWINGS AND SPECIFICATIONS ARE THE PROPERTY OF ACCURATE INNO TECH INC AND SHALL NOT BE REPRODUCED, COPIED OR USED IN ANY MANNER WITHOUT THE PRIOR WRITTEN CONSENT OF ACCURATE INNO TECH INC.



东莞市腾兴电子有限公司

TITLE:	SLIDE SWITCH / HORIZONTAL	PART NO.:	SK-12D18
DR:	Ricky 2016/06/21	DWG NO.:	ADL-12D18
CHKD:	Ricky 2016/06/21	SCALE	SHEET
APPD:		4:1	1/1
		REV.	A
		CUSTOMER DRAWING	