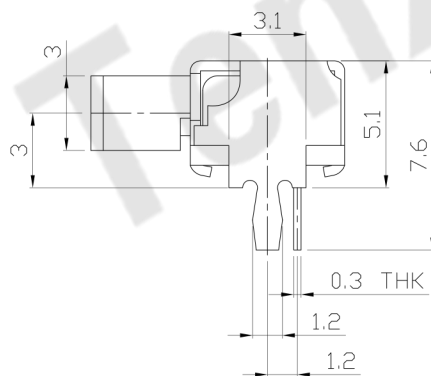
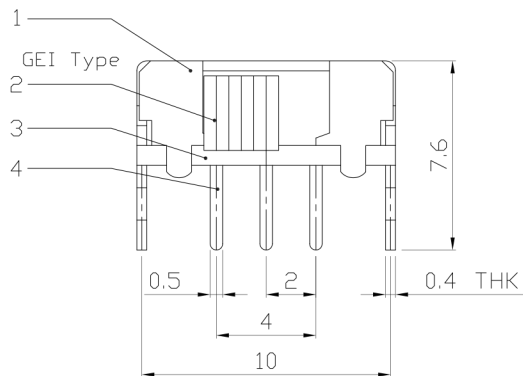
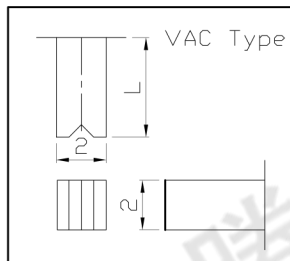
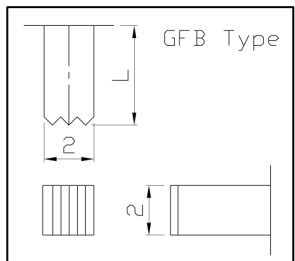
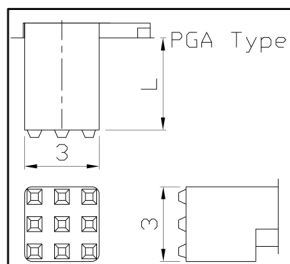
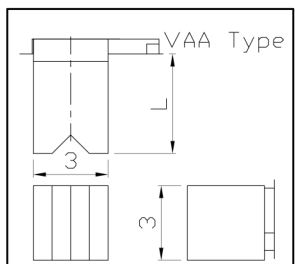
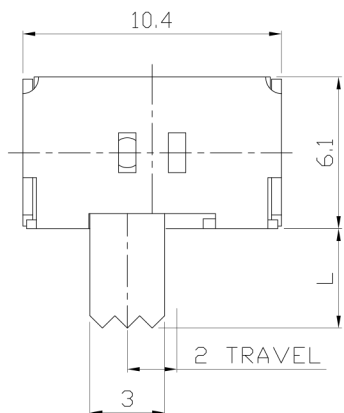




RoHS
Compliant
2002/95/EC

DIMENSIONS

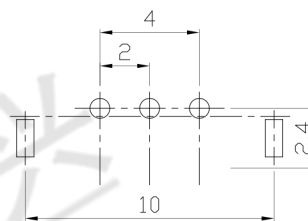


MODEL CODE

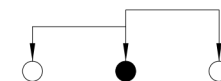
SK-12D19-GEI

Knob Type
GEI
VAA
PGA
GFB
VAC

L(mm)
~



P.C.B LAYOUT
BOTTOM VIEW



CIRCUIT DIAGRAM

ELECTRO-MECHANICAL CHARACTERISTICS

Refer to additional specifications

| | |
|------------------------|--------------|
| RATING | 0.3A 50V DC |
| CIRCUIT | 1P2T |
| CONTACT RESISTANCE | 30mΩ MAX. |
| TIMING | NON-SHORTING |
| TRAVEL | 2mm |
| OPERATING FORCE | 200±100gf |
| OPERATING LIFE(cycles) | 10,000 |

| NO. | PARTS | MATERIAL | Q'TY | FINISHING |
|-----|--------------|----------------|------|--------------------------|
| 8 | | | | |
| 7 | | | | |
| 6 | CONTACT CLIP | PBS C5210R-EH | 1 | Ag CLAD |
| 5 | SPRING PLATE | SUS | 1 | NATURAL |
| 4 | TERMINAL | BRASS STRIP | 3 | Ag PLATED OVER Ni PLATED |
| 3 | BASE | PHENOLIC RESIN | 1 | NATURAL |
| 2 | KNOB | POM | 1 | BLACK |
| 1 | FRAME | STEEL STRIP | 1 | Ni PLATED |

THESE DRAWINGS AND SPECIFICATIONS ARE THE PROPERTY OF ACCURATE INNOVATION INC AND SHALL NOT BE REPRODUCED, COPIED OR USED IN ANY MANNER WITHOUT THE PRIOR WRITTEN CONSENT OF ACCURATE INNOVATION INC.

| | | | | | | | |
|----------------------|--------|----------|-------------|---------------------------|-----------|-----------|------------------|
| WITHIN 1.5mm: ±0.1mm | UNITS | mm | 东莞市腾兴电子有限公司 | | | | |
| OVER 1.5mm: ±0.2mm | MAT'L | SEE NOTE | | | | | |
| | FINISH | SEE NOTE | TITLE: | SLIDE SWITCH / HORIZONTAL | | | |
| | Q'TY | | DR: | Ricky 2015/12/04 | | | |
| | | | CHKD: | Ricky 2015/12/04 | | | |
| | | | APPD: | | PART NO.: | SK-12D19 | |
| | | | | | DWG NO.: | ADJ-12D19 | |
| | | | | SCALE | SHEET | REV. | CUSTOMER DRAWING |
| | | | | 4:1 | 1/1 | A | |