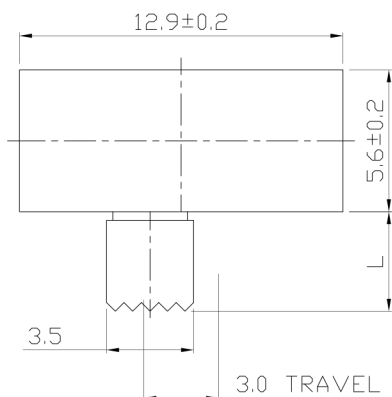




RoHS
Compliant
2002/95/EC

REV.	ECN.	NO.	APPD.

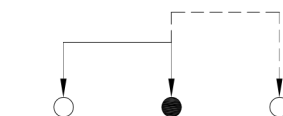
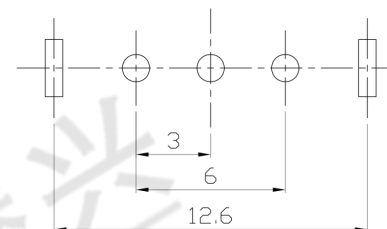
DIMENSIONS



MODEL CODE

SK-12E14-GEW

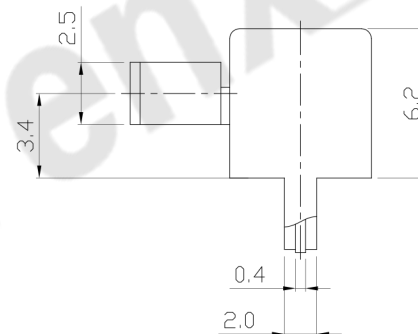
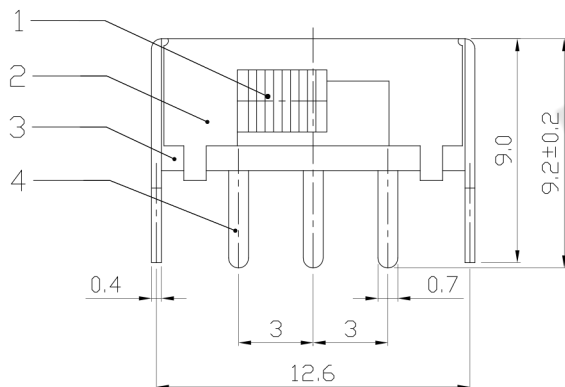
Knob Type	L(mm)
GEW	~



P.C.B LAYOUT
BOTTOM VIEW

CIRCUIT DIAGRAM

GEW Type



ELECTRO-MECHANICAL CHARACTERISTICS

Refer to additional specifications

RATING	0.5A 50V DC
CIRCUIT	1P2T
CONTACT RESISTANCE	100mΩ MAX.
TIMING	NON-SHORTING
TRAVEL	3mm
OPERATING FORCE	250±80gf
OPERATING LIFE(cycles)	10,000

8					WITHIN 1.5mm: ±0.1mm	UNITS	mm
7					OVER 1.5mm: ±0.2mm	MAT'L	
6	CONTACT (CLIP)	BRASS STRIP	1	SILVER PLATED		SEE NOTE	
5	SPRING	STEEL WIRE	1				
4	TERMINAL	BRASS STRIP	3	SILVER PLATED		FINISH	
3	TERMINAL BASE	PHENOL IC RESIN	1	NATURAL		SEE NOTE	
2	FRAME	IRON STRIP	1	Ni PLATED		Q'TY	
1	KNOB	POM	1	BLACK			
NO.	PARTS	MATERIAL	Q'TY	FINISHING			

THESE DRAWINGS AND SPECIFICATIONS ARE THE PROPERTY OF ACCURATE INNOVATECH INC AND SHALL NOT BE REPRODUCED, COPIED OR USED IN ANY MANNER WITHOUT THE PRIOR WRITTEN CONSENT OF ACCURATE INNOVATECH INC.



东莞市腾兴电子有限公司

TITLE:	SLIDE SWITCH / HORIZONTAL	PART NO.:	SK-12E14
DR:	Ricky 2016/06/22	DWG NO.:	ADL-12E14
CHKD:	Ricky 2016/06/22	SCALE	3:1
APPD:		SHEET	1/1
		REV.	A
		CUSTOMER DRAWING	