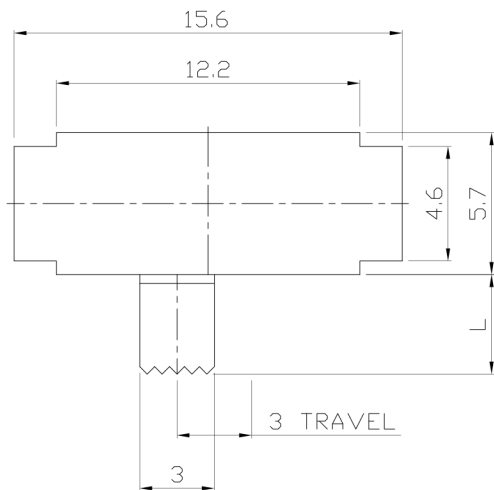




RoHS Compliant
2002/95/EC

REV.	ECN.	NO.	APPD.

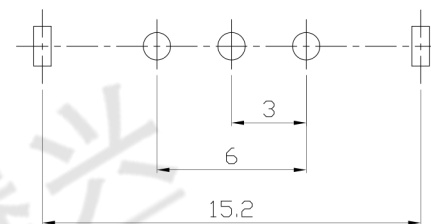
DIMENSIONS



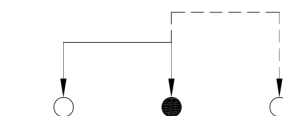
MODEL CODE

SK-12F02-GFI

Knob Type	L(mm)
GFI	~



P.C.B LAYOUT
BOTTOM VIEW



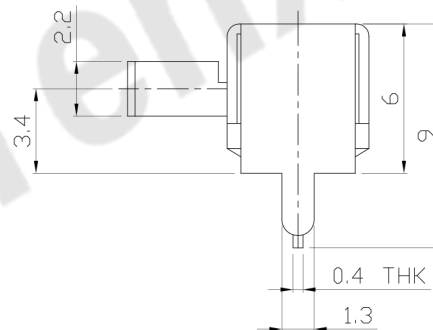
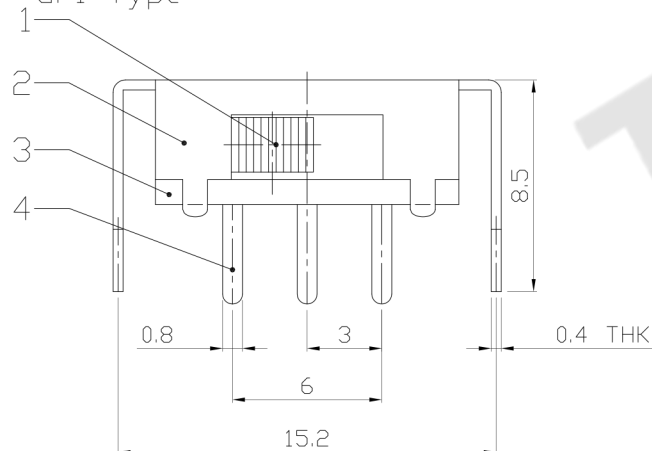
CIRCUIT DIAGRAM

ELECTRO-MECHANICAL CHARACTERISTICS

Refer to additional specifications

RATING	0.5A 50V DC
CIRCUIT	1P2T
CONTACT RESISTANCE	100mΩ MAX.
TIMING	NON-SHORTING
TRAVEL	3mm
OPERATING FORCE	180±80gf
OPERATING LIFE(cycles)	10,000

GFI Type



8					
7					
6	SPRING	BRASS STRIP	1	Ag PLATED	
5	CONTACT	STEEL STRIP	1	NATURAL	
4	TERMINAL	BRASS STRIP	3	Ag PLATED	
3	BASE	PHENOLIC RESIN	1	NATURAL	
2	FRAME	STEEL STRIP	1	Ni PLATED	
1	KNOB	POM	1	BLACK	
NO.	PARTS	MATERIAL	Q'TY	FINISHING	

WITHIN 1.5mm: ±0.1mm
OVER 1.5mm: ±0.2mm

UNITS mm

MAT'L

SEE NOTE

FINISH

SEE NOTE

Q'TY

THESE DRAWINGS AND SPECIFICATIONS ARE THE PROPERTY OF ACCURATE INNOVATECH INC AND SHALL NOT BE REPRODUCED, COPIED OR USED IN ANY MANNER WITHOUT THE PRIOR WRITTEN CONSENT OF ACCURATE INNOVATECH INC.

东莞市腾兴电子有限公司

SEE NOTE	TITLE: SLIDE SWITCH / HORIZONTAL	PART NO.:	SK-12F02		
SEE NOTE	DR: <i>Ricky</i> 2016/06/22	DWG NO.:	ADL-12F02		
Q'TY	CHKD: <i>Ricky</i> 2016/06/22	SCALE	SHEET	REV.	CUSTOMER DRAWING
	APPD:	3:1	1/1	A	