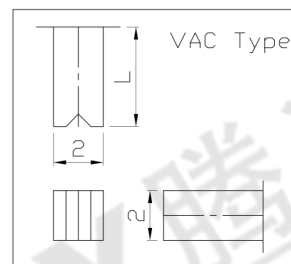
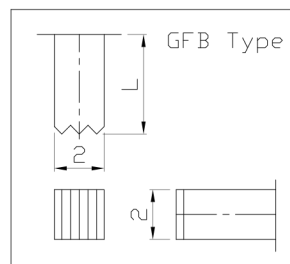
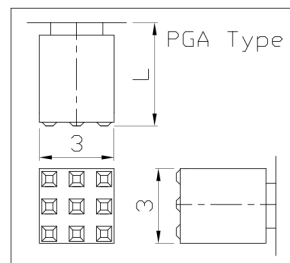
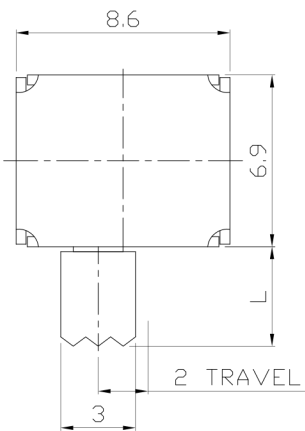




RoHS
Compliant
2002/95/EC

REV.	ECN.	NO.	APPD.

DIMENSIONS

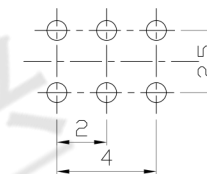


MODEL CODE

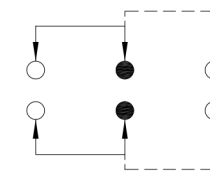
SK-22D09-GEI

Knob Type
GEI
PGA
GFB
VAC

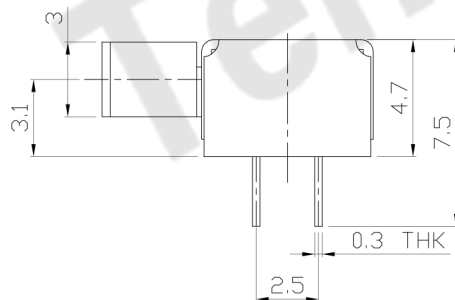
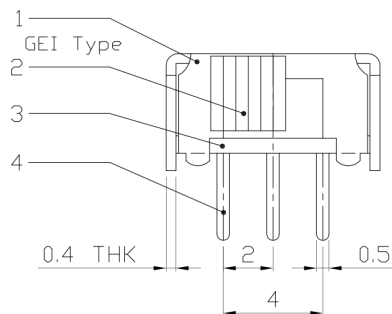
L(mm)
~



P.C.B LAYOUT
BOTTOM VIEW



CIRCUIT DIAGRAM



ELECTRO-MECHANICAL CHARACTERISTICS

Refer to additional specifications

RATING	0.3A 50V DC
CIRCUIT	2P2T
CONTACT RESISTANCE	100mΩ MAX.
TIMING	NON-SHORTING
TRAVEL	2mm
OPERATING FORCE	250±100gf
OPERATING LIFE(cycles)	10,000

8					WITHIN 1.5mm: ±0.1mm	UNITS	mm	东莞市腾兴电子有限公司 TITLE: SLIDE SWITCH / HORIZONTAL PART NO.: SK-22D09 DR: Ricky 2016/06/24 DWG NO.: ADL-22D09 CHKD: Ricky 2016/06/24 APPD:
7					OVER 1.5mm: ±0.2mm	MAT'L		
6	SPRING PLATE	PBS STRIP	1	NATURAL		SEE NOTE		
5	CONTACT CLIP	PBS STRIP	2	Ag PLATED				
4	TERMINAL	BRASS STRIP	6	Ag PLATED				
3	BASE	PHENOLIC RESIN	1	NATURAL		FINISH		
2	KNOB	POM	1	BLACK		SEE NOTE		
1	FRAME	STEEL STRIP	1	Ni PLATED		Q'TY		
NO.	PARTS	MATERIAL	Q'TY	FINISHING				SCALE SHEET REV. CUSTOMER DRAWING 4:1 1/1 A

THESE DRAWINGS AND SPECIFICATIONS ARE THE PROPERTY OF ACCURATE INNOVATION INC AND SHALL NOT BE REPRODUCED, COPIED OR USED IN ANY MANNER WITHOUT THE PRIOR WRITTEN CONSENT OF ACCURATE INNOVATION INC.

