



**RoHS Compliant**  
2002/95/EC

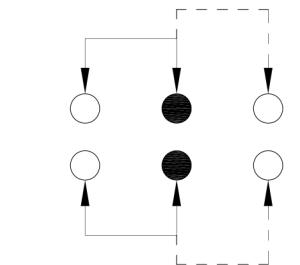
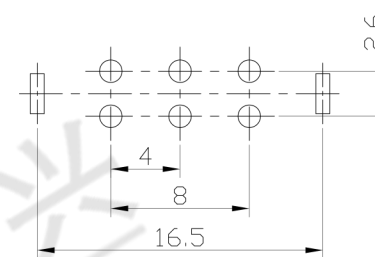
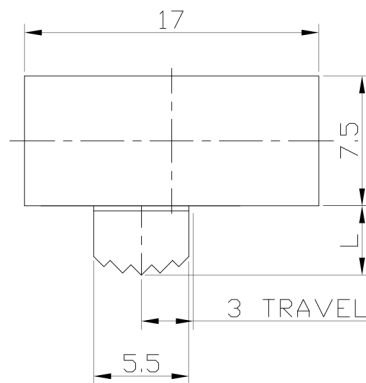
REV.	ECN.	NO.	APPD.

**MODEL CODE**

SK-22F02-GDB

Knob Type	L(mm)
GDB	~

**DIMENSIONS**



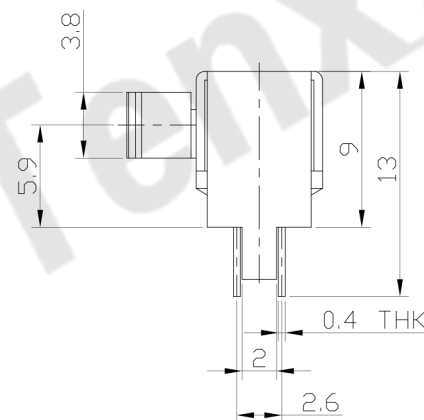
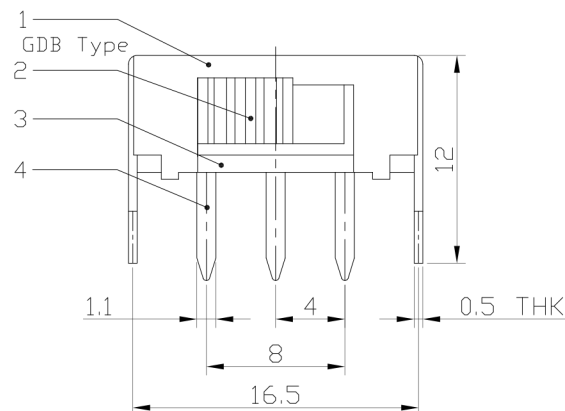
P.C.B LAYOUT  
BOTTOM VIEW

CIRCUIT DIAGRAM

**ELECTRO-MECHANICAL CHARACTERISTICS**

Refer to additional specifications

RATING	0.5A 50V DC
CIRCUIT	2P2T
CONTACT RESISTANCE	100mΩ MAX.
TIMING	NON-SHORTING
TRAVEL	3mm
OPERATING FORCE	200±80gf
OPERATING LIFE(cycles)	10,000



8					WITHIN 1.5mm: ±0.1mm	UNITS	mm	<p style="text-align: center;"><b>东莞市腾兴电子有限公司</b></p> <p>TITLE: SLIDE SWITCH / HORIZONTAL</p> <p>PART NO.: SK-22F02</p> <p>DR: Ricky 2016/06/24</p> <p>DWG NO.: ADL-22F02</p> <p>CHKD: Ricky 2016/06/24</p> <p>APPD:</p>
7					OVER 1.5mm: ±0.2mm	MAT'L		
6	SPRING	STEEL WIRE	2	NATURAL		SEE NOTE		
5	CONTACT	BRASS STRIP	2	Ag PLATED				
4	TERMINAL	BRASS STRIP	6	Ag PLATED		FINISH		
3	BASE	PHENOLIC RESIN	1	BLACK		SEE NOTE		
2	KNOB	PDM	1	BLACK		Q'TY		
1	FRAME	STEEL STRIP	1	Ni PLATED				
NO.	PARTS	MATERIAL	Q'TY	FINISHING				

THESE DRAWINGS AND SPECIFICATIONS ARE THE PROPERTY OF ACCURATE INNOVATECH INC AND SHALL NOT BE REPRODUCED, COPIED OR USED IN ANY MANNER WITHOUT THE PRIOR WRITTEN CONSENT OF ACCURATE INNOVATECH INC.



SCALE	SHEET	REV.	CUSTOMER DRAWING
2:1	1/1	A	