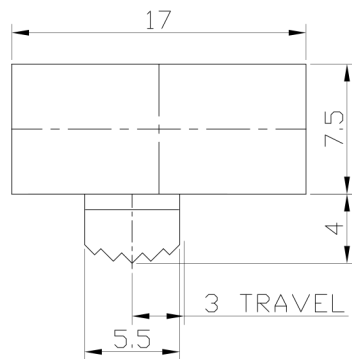




RoHS Compliant
2002/95/EC

REV.	ECN.	NO.	APPD.

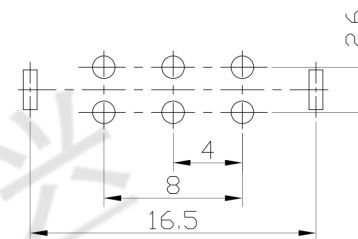
DIMENSIONS



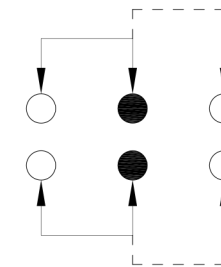
MODEL CODE

SK-22F12- GDB

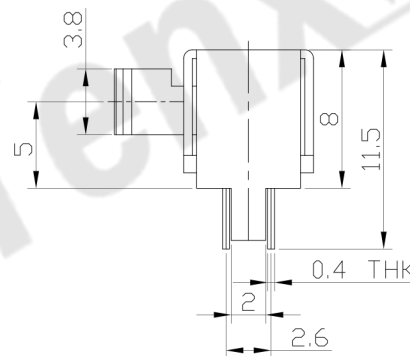
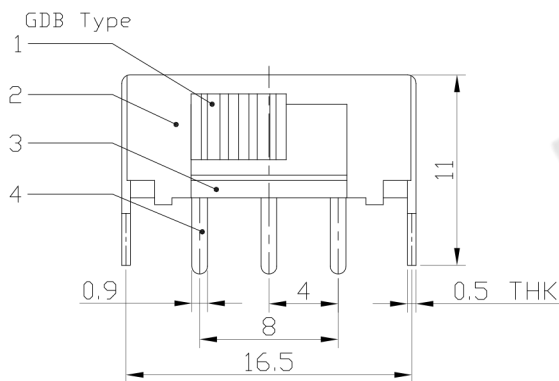
Knob Type	L(mm)
GDB	~



P.C.B LAYOUT
BOTTOM VIEW



CIRCUIT DIAGRAM



ELECTRO-MECHANICAL CHARACTERISTICS

Refer to additional specifications

RATING	0.5A 50V DC
CIRCUIT	2P2T
CONTACT RESISTANCE	100mΩ MAX.
TIMING	NON-SHORTING
TRAVEL	3mm
OPERATING FORCE	180±80gf
OPERATING LIFE(cycles)	10,000

8					WITHIN 1.5mm: ±0.1mm	UNITS mm	东莞市腾兴电子有限公司 TITLE: SLIDE SWITCH / HORIZONTAL PART NO.: SK-22F12 DR: Ricky 2016/06/24 DWG NO.: ADL-22F12 CHKD: Ricky 2016/06/24 APPD:
7					OVER 1.5mm: ±0.2mm	MAT'L	
6	CONTACT	BRASS STRIP	2	Ag PLATED		SEE NOTE	
5	SPRING	STEEL STRIP	2	NATURAL		SEE NOTE	
4	TERMINAL	BRASS STRIP	6	Ag PLATED		Q'TY	
3	BASE	PHENOLIC RESIN	1	BLACK			
2	FRAME	STEEL STRIP	1	Ni PLATED			
1	KNOB	POM	1	BLACK			
NO.	PARTS	MATERIAL	Q'TY	FINISHING			SCALE SHEET REV. CUSTOMER DRAWING 5:2 1/1 A

THESE DRAWINGS AND SPECIFICATIONS ARE THE PROPERTY OF ACCURATE INNO TECH INC AND SHALL NOT BE REPRODUCED, COPIED OR USED IN ANY MANNER WITHOUT THE PRIOR WRITTEN CONSENT OF ACCURATE INNO TECH INC.

