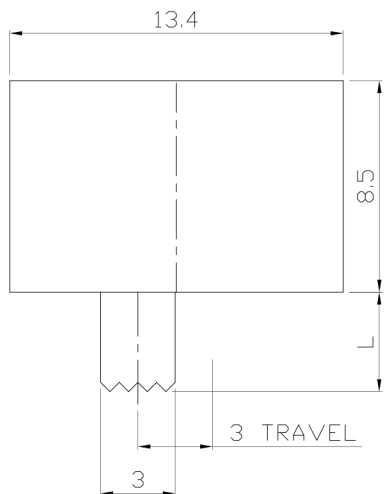




**RoHS Compliant**  
2002/95/EC

REV.	ECN.	NO.	APPD.

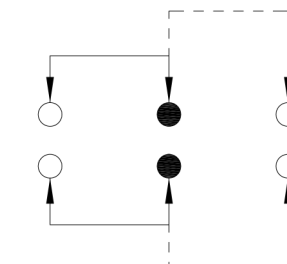
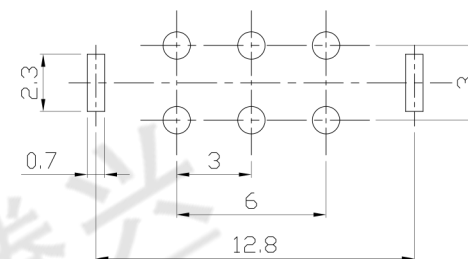
### DIMENSIONS



### MODEL CODE

SK-22F14-GBG

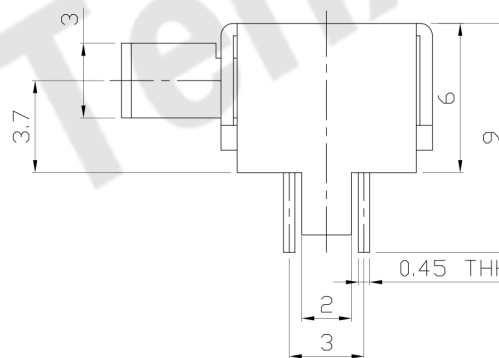
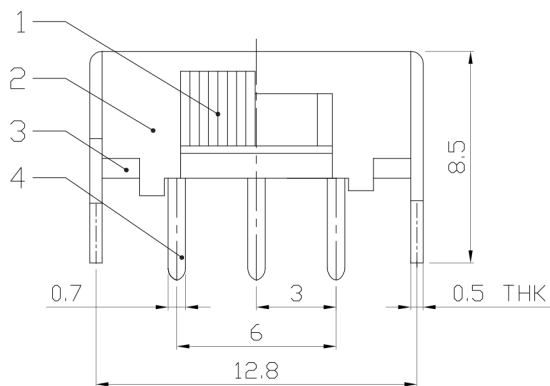
Knob Type	L(mm)
GBG	~



P.C.B LAYOUT  
BOTTOM VIEW

CIRCUIT DIAGRAM

GBG Type



### ELECTRO-MECHANICAL CHARACTERISTICS

Refer to additional specifications

RATING	0.5A 50V DC
CIRCUIT	2P2T
CONTACT RESISTANCE	100mΩ MAX.
TIMING	NON-SHORTING
TRAVEL	3mm
OPERATING FORCE	250±100gf
OPERATING LIFE(cycles)	10,000

8					WITHIN 1.5mm: ±0.1mm	UNITS	mm	<b>东莞市腾兴电子有限公司</b> TITLE: SLIDE SWITCH / HORIZONTAL PART NO.: SK-22F14 DR: Ricky 2016/06/27 DWG NO.: ADL-22F14 CHKD: Ricky 2016/06/27 APPD: SCALE: 3:1 SHEET: 1/1 REV: A CUSTOMER DRAWING
7					OVER 1.5mm: ±0.2mm	MAT'L		
6	CONTACT	BRASS STRIP	2	Ag PLATED		SEE NOTE		
5	SPRING	STEEL WIRE	2	NATURAL				
4	TERMINAL	BRASS STRIP	6	Ag PLATED		FINISH		
3	BASE	PHENOLIC RESIN	1	NATURAL		SEE NOTE		
2	FRAME	STEEL STRIP	1	Ni PLATED		Q'TY		
1	KNOB	PDM	1	BLACK				
NO.	PARTS	MATERIAL	Q'TY	FINISHING				

THESE DRAWINGS AND SPECIFICATIONS ARE THE PROPERTY OF ACCURATE INNO TECH INC AND SHALL NOT BE REPRODUCED, COPIED OR USED IN ANY MANNER WITHOUT THE PRIOR WRITTEN CONSENT OF ACCURATE INNO TECH INC.

