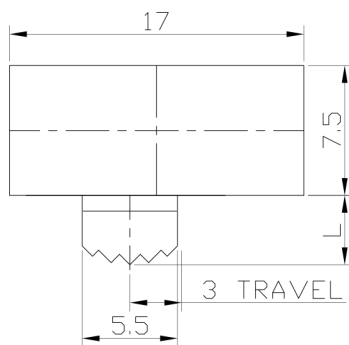




RoHS
Compliant
2002/95/EC

REV.	ECN.	NO.	APPD.

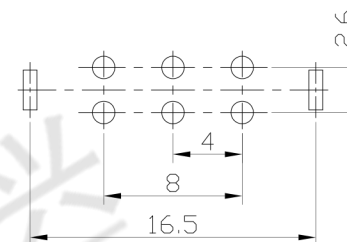
DIMENSIONS



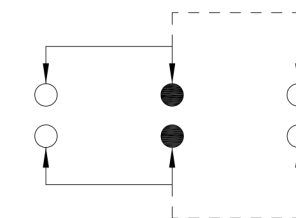
MODEL CODE

SK-22F16- GDB

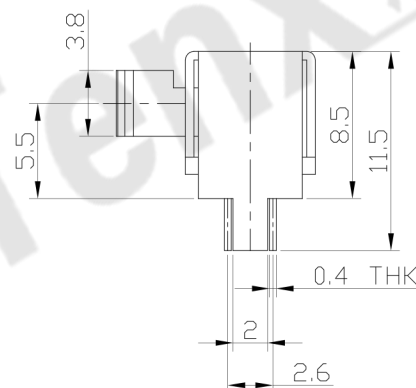
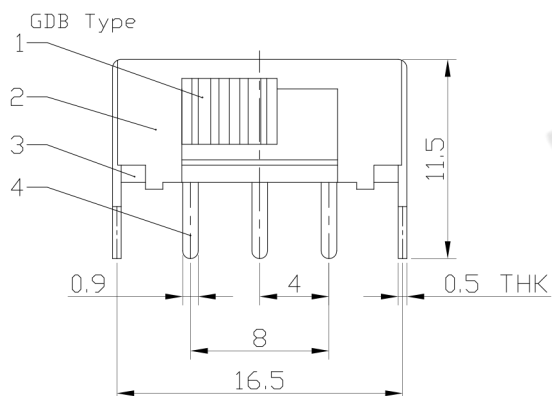
Knob Type	L(mm)
GDB	~



P.C.B LAYOUT
BOTTOM VIEW



CIRCUIT DIAGRAM



ELECTRO-MECHANICAL CHARACTERISTICS

Refer to additional specifications

RATING	0.5A 50V DC
CIRCUIT	2P2T
CONTACT RESISTANCE	100mΩ MAX.
TIMING	NON-SHORTING
TRAVEL	3mm
OPERATING FORCE	200±80gf
OPERATING LIFE(cycles)	10,000

8					WITHIN 1.5mm: ±0.1mm	UNITS	mm	东莞市腾兴电子有限公司 TITLE: SLIDE SWITCH / HORIZONTAL PART NO.: SK-22F16 DR: Ricky 2016/06/27 DWG NO.: ADL-22F16 CHKD: Ricky 2016/06/27 APPD:
7					OVER 1.5mm: ±0.2mm	MAT'L		
6	CONTACT	BRASS STRIP	2	Ag PLATED		SEE NOTE		
5	SPRING	STEEL STRIP	2	NATURAL				
4	TERMINAL	BRASS STRIP	6	Ag PLATED		FINISH		
3	BASE	PHENOLIC RESIN	1	BLACK		SEE NOTE		
2	FRAME	STEEL STRIP	1	Ni PLATED		Q'TY		
1	KNOB	POM	1	BLACK				
NO.	PARTS	MATERIAL	Q'TY	FINISHING				SCALE SHEET REV. CUSTOMER DRAWING 5:2 1/1 A

THESE DRAWINGS AND SPECIFICATIONS ARE THE PROPERTY OF ACCURATE INNOVATECH INC AND SHALL NOT BE REPRODUCED, COPIED OR USED IN ANY MANNER WITHOUT THE PRIOR WRITTEN CONSENT OF ACCURATE INNOVATECH INC.

