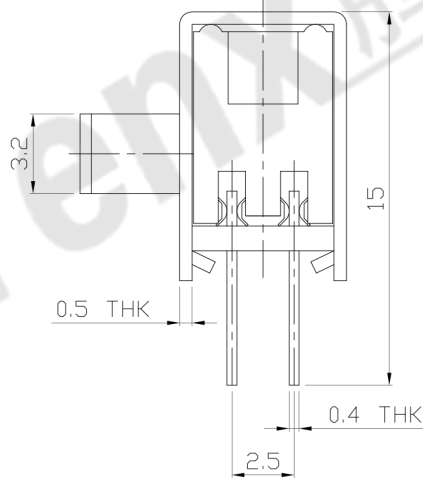
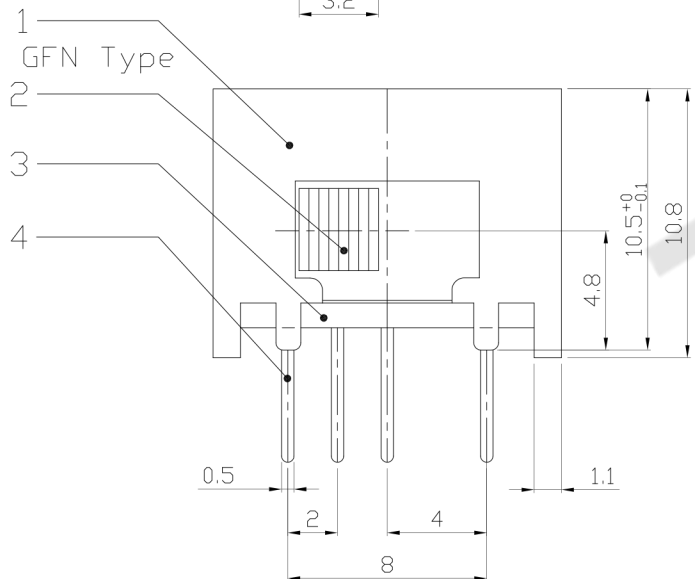
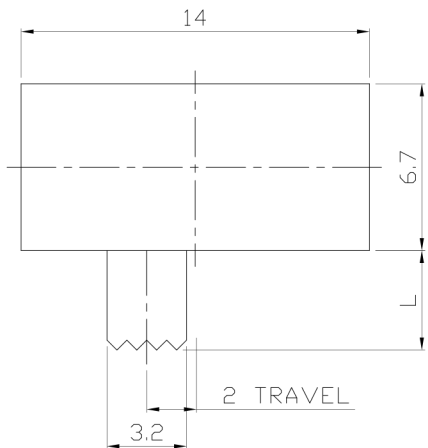




RoHS Compliant
2002/95/EC

| | | | |
|------|------|-----|-------|
| REV. | ECN. | NO. | APPD. |
| | | | |
| | | | |

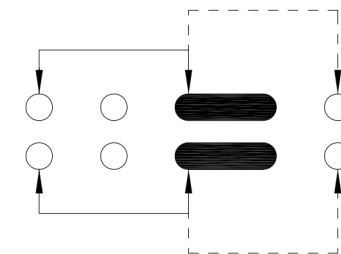
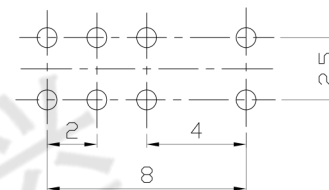
DIMENSIONS



MODEL CODE

SK-22H01-GFN

| | |
|-----------|-------|
| Knob Type | L(mm) |
| GFN | ~ |



P.C.B LAYOUT
BOTTOM VIEW

CIRCUIT DIAGRAM

ELECTRO-MECHANICAL CHARACTERISTICS

Refer to additional specifications

| | |
|------------------------|--------------|
| RATING | 0.3A 50V DC |
| CIRCUIT | 2P2T |
| CONTACT RESISTANCE | 100mΩ MAX. |
| TIMING | NON-SHORTING |
| TRAVEL | 2mm |
| OPERATING FORCE | 250±100gf |
| OPERATING LIFE(cycles) | 10,000 |

| | | | | | | | |
|-----|--------------|----------------|------|-----------|----------------------|----------|----|
| 8 | | | | | WITHIN 1.5mm: ±0.1mm | UNITS | mm |
| 7 | STEEL BALL | STEEL | 1 | NATURAL | OVER 1.5mm: ±0.2mm | MAT'L | |
| 6 | SPRING | STEEL WIRE | 1 | NATURAL | | SEE NOTE | |
| 5 | CONTACT CLIP | PBS STRIP | 2 | Ag PLATED | | FINISH | |
| 4 | TERMINAL | BRASS STRIP | 8 | Ag PLATED | | SEE NOTE | |
| 3 | BASE | PHENOLIC RESIN | 1 | NATURAL | | Q'TY | |
| 2 | KNOB | POM | 1 | BLACK | | | |
| 1 | FRAME | STEEL STRIP | 1 | Ni PLATED | | | |
| NO. | PARTS | MATERIAL | Q'TY | FINISHING | | | |

THESE DRAWINGS AND SPECIFICATIONS ARE THE PROPERTY OF ACCURATE INNOVATION INC AND SHALL NOT BE REPRODUCED, COPIED OR USED IN ANY MANNER WITHOUT THE PRIOR WRITTEN CONSENT OF ACCURATE INNOVATION INC.



东莞市腾兴电子有限公司

| | | | |
|--------|---------------------------|------------------|-----------|
| TITLE: | SLIDE SWITCH / HORIZONTAL | PART NO.: | SK-22H01 |
| DR: | Ricky 2016/06/27 | DWG NO.: | ADL-22H01 |
| CHKD: | Ricky 2016/06/27 | SCALE | 3:1 |
| APPD: | | SHEET | 1/1 |
| | | REV. | A |
| | | CUSTOMER DRAWING | |