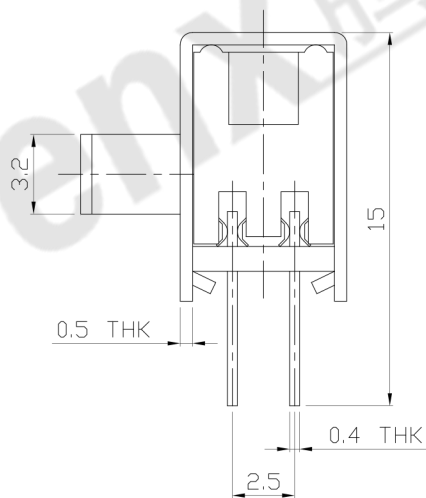
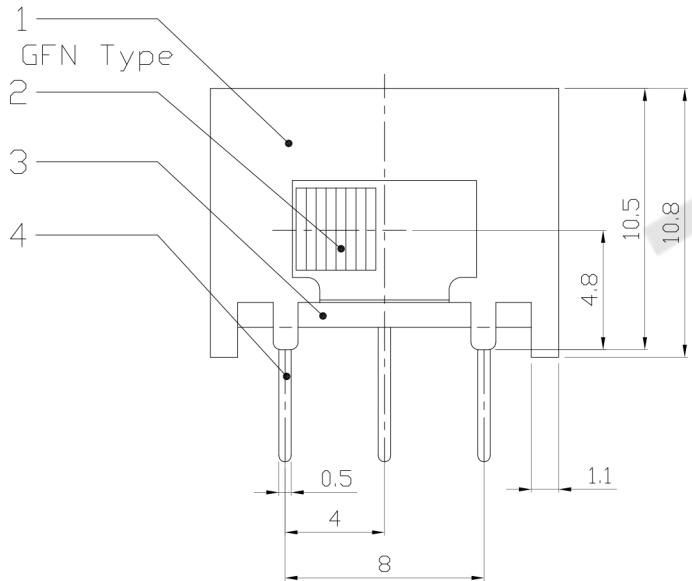
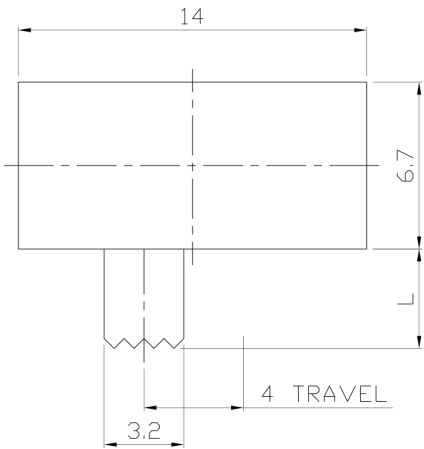




**RoHS Compliant**  
2002/95/EC

REV.	ECN. NO.	APPD.

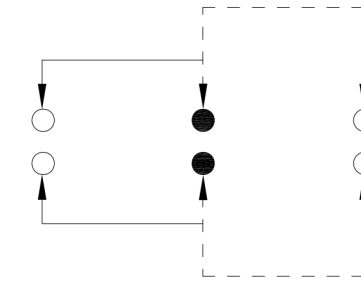
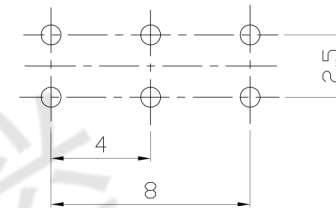
**DIMENSIONS**



**MODEL CODE**

SK-22H02-GFN

Knob Type	L(mm)
GFN	~



P.C.B LAYOUT  
BOTTOM VIEW

CIRCUIT DIAGRAM

**ELECTRO-MECHANICAL CHARACTERISTICS**

Refer to additional specifications

RATING	0.3A 50V DC
CIRCUIT	2P2T
CONTACT RESISTANCE	100mΩ MAX.
TIMING	NON-SHORTING
TRAVEL	2mm
OPERATING FORCE	250±100gf
OPERATING LIFE(cycles)	10,000

NO.	PARTS	MATERIAL	Q'TY	FINISHING
8				WITHIN 1.5mm: ±0.1mm
7	STEEL BALL	STEEL	1	NATURAL
6	SPRING	STEEL WIRE	1	NATURAL
5	CONTACT CLIP	PBS STRIP	2	Ag PLATED
4	TERMINAL	BRASS STRIP	6	Ag PLATED
3	BASE	PHENOLIC RESIN	1	NATURAL
2	KNOB	PDM	1	BLACK
1	FRAME	STEEL STRIP	1	Ni PLATED
				OVER 1.5mm: ±0.2mm

THESE DRAWINGS AND SPECIFICATIONS ARE THE PROPERTY OF ACCURATE INNO TECH INC AND SHALL NOT BE REPRODUCED, COPIED OR USED IN ANY MANNER WITHOUT THE PRIOR WRITTEN CONSENT OF ACCURATE INNO TECH INC.

**UNITS** mm

**MAT'L** SEE NOTE

**FINISH** SEE NOTE

**Q'TY**

**东莞市腾兴电子有限公司**

TITLE: SLIDE SWITCH / HORIZONTAL PART NO.: SK-22H02

DR: Ricky 2016/06/27 DWG NO.: ADL-22H02

CHKD: Ricky 2016/06/27

APPD:

SCALE	SHEET	REV.	CUSTOMER DRAWING
3:1	1/1	A	