



**RoHS Compliant**  
2002/95/EC

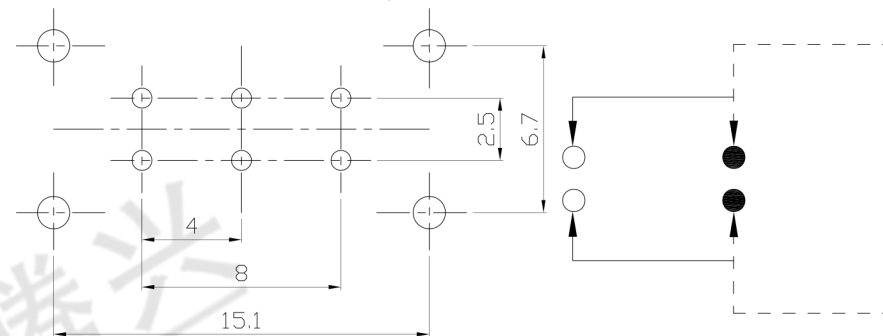
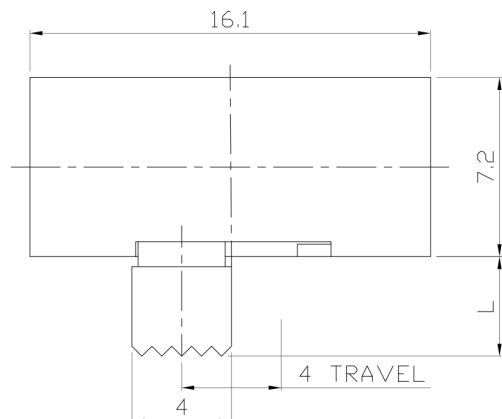
REV.	ECN.	NO.	APPD.

### MODEL CODE

SK-22H03-GBP

Knob Type	L(mm)
GBP	~

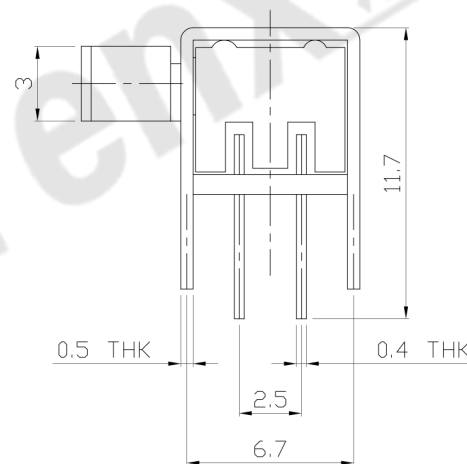
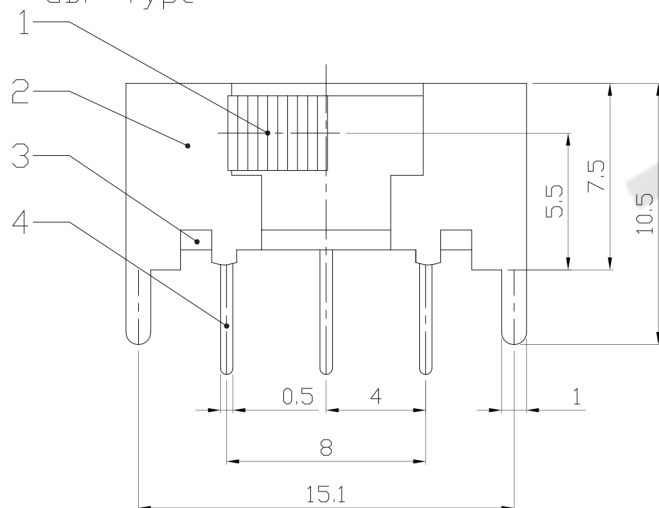
### DIMENSIONS



P.C.B LAYOUT  
BOTTOM VIEW

CIRCUIT DIAGRAM

GBP Type



### ELECTRO-MECHANICAL CHARACTERISTICS

Refer to additional specifications

RATING	0.3A 50V DC
CIRCUIT	2P2T
CONTACT RESISTANCE	100mΩ MAX.
TIMING	NON-SHORTING
TRAVEL	4mm
OPERATING FORCE	250±100gf
OPERATING LIFE(cycles)	10,000

NO.	PARTS	MATERIAL	Q'TY	FINISHING
8				
7	CONTACT CLIP	PBS STRIP	2	Ag PLATED
6	SPRING	STEEL WIRE	1	NATURAL
5	STEEL BALL	STEEL	1	NATURAL
4	TERMINAL	BRASS STRIP	6	Ag PLATED
3	BASE	PHENOLIC RESIN	1	NATURAL
2	FRAME	STEEL STRIP	1	Ni PLATED
1	KNOB	POM	1	BLACK

THESE DRAWINGS AND SPECIFICATIONS ARE THE PROPERTY OF ACCURATE INNOVATIVE INC AND SHALL NOT BE REPRODUCED, COPIED OR USED IN ANY MANNER WITHOUT THE PRIOR WRITTEN CONSENT OF ACCURATE INNOVATIVE INC.

WITHIN 1.5mm: ±0.1mm	UNITS	mm	<b>东莞市腾兴电子有限公司</b>				
OVER 1.5mm: ±0.2mm	MAT'L	SEE NOTE					
	FINISH	SEE NOTE	TITLE:	SLIDE SWITCH / HORIZONTAL			
	Q'TY		DR:	Ricky 2016/06/28			
			CHKD:	Ricky 2016/06/28			
			APPD:		PART NO.:	SK-22H03	
					DWG NO.:	ADL-22H03	
				SCALE	SHEET	REV.	CUSTOMER DRAWING
				3:1	1/1	A	